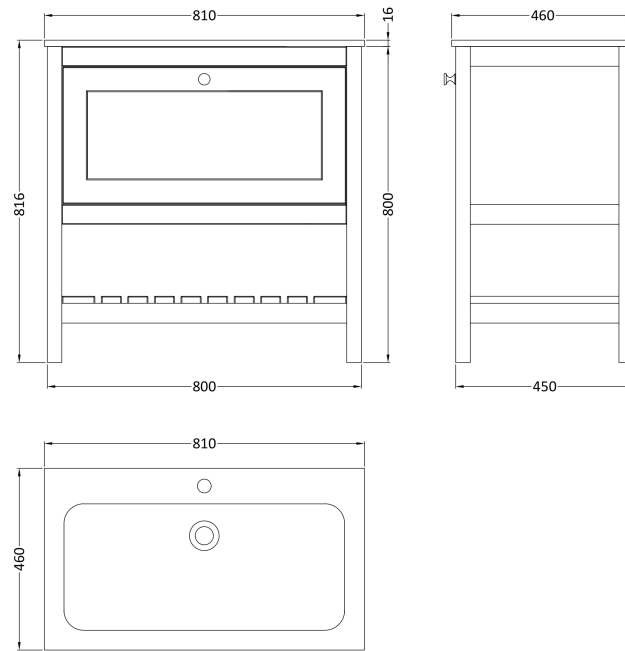


Sales Code: BEX327P

Description: 800 F/S Drawer & Stone Basin 1Th

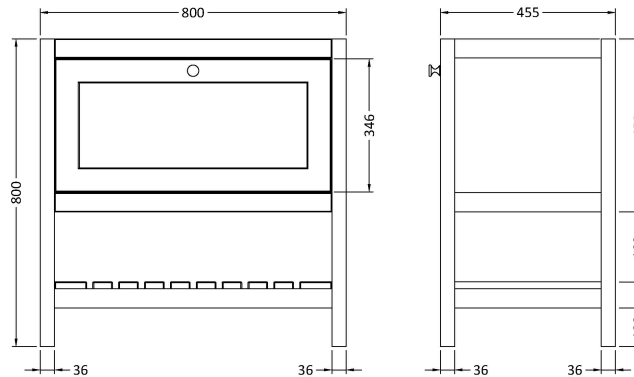
Packaging Details

Barcode: 5056817714703



Sales Code: BEX327N

Description: 800 F/S Single Drawer Unit



Product Dimensions

| | |
|-------------------|------|
| Height (mm): | 800 |
| Width (mm): | 795 |
| Depth (mm): | 450 |
| Nett Weight (kg): | 25.5 |

Packaging Dimensions

| | |
|--------------------|-----|
| Height (mm): | 820 |
| Width (mm): | 820 |
| Depth (mm): | 475 |
| Gross Weight (kg): | 26 |

Packaging Data

| | |
|---------------|---------------------|
| Box Colour: | Brown Cardboard Box |
| Box Qty: | 1 |
| Label Size: | 150 x 100 |
| Label Colour: | White Label |
| Label Qty: | 2 |

Outer Box Dimensions (If Applicable)

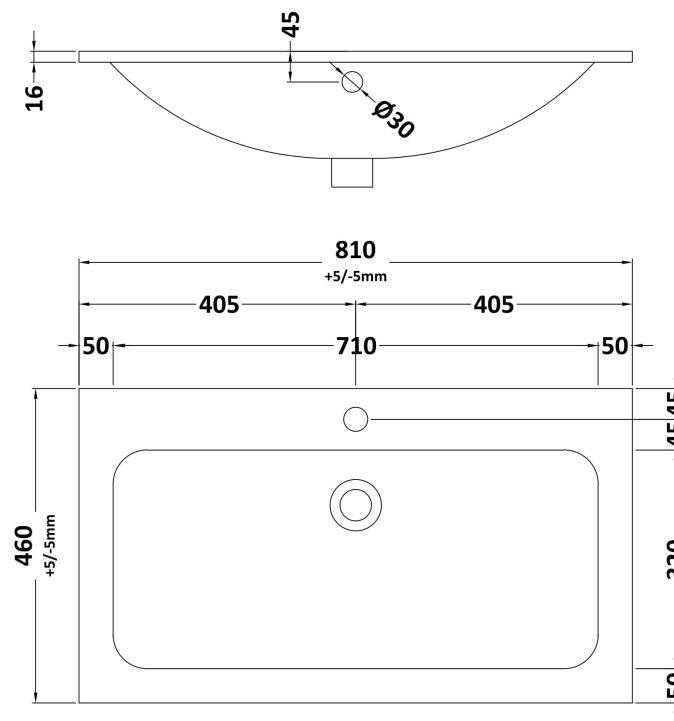
| | |
|--------------------|---------------|
| Height (mm): | |
| Width (mm): | |
| Depth (mm): | |
| Gross Weight (kg): | |
| Barcode: | 5056678497708 |

Product Details

| | |
|--------------------------|--------------------------------|
| Country of Origin: | Ireland |
| Fitting Instruction: | No |
| CE & UKCA: | |
| FSC Certified Materials: | Yes |
| Colour: | Indigo Blue |
| Construction Method: | Cam & Wood Dowel |
| Construction Type: | Rigid |
| Cabinet Finish: | MFC Smooth Matt |
| Fascia Finish: | MFC Smooth Matt |
| Cabinet Thickness (mm): | 18 |
| Fascia Thickness (mm): | 18 |
| Drawer Included: | Yes |
| Drawer Type: | 80mm High Metal S/C Inc Galler |
| No of Shelves: | 1 |
| Hinge Type: | Not Applicable |
| Hinge Included: | No |
| Adjustable Legs: | Not Applicable |
| Fixings Included: | Not Required |
| Handle Style: | Traditional |
| Waste Shroud: | Yes |
| Handle Included: | Yes |
| Handle Type: | Knob |

Sales Code: SBM105

Description: 810 X 460mm Basin 1T/H



Product Dimensions

| | |
|-------------------|----|
| Height (mm): | |
| Width (mm): | |
| Depth (mm): | |
| Nett Weight (kg): | 16 |

Packaging Dimensions

| | |
|--------------------|------|
| Height (mm): | 200 |
| Width (mm): | 875 |
| Depth (mm): | 530 |
| Gross Weight (kg): | 16.5 |

Packaging Data

| | |
|---------------|---|
| Box Colour: | |
| Box Qty: | |
| Label Size: | x |
| Label Colour: | |
| Label Qty: | |

Outer Box Dimensions (If Applicable)

| | |
|--------------------|---------------|
| Height (mm): | |
| Width (mm): | |
| Depth (mm): | |
| Gross Weight (kg): | |
| Barcode: | 5056678424346 |

Product Details

| | |
|---------------------------|----------------|
| Country of Origin: | China |
| Fitting Instruction: | No |
| Certification: CE & UKCA: | WRAS: WRAS No: |
| Product Material: | |
| Fixing Supplied: | |

Pans/Bidets: Trap Style: Includes Seat:

Seats: Seat Type: Material:
Function: Hinge Type:
Hinge Material:

Cisterns: Operating Type: Fittings:
Lever Type:

Basins: Tap Hole: Chain Stay Hole:
Template: Waste Type Req:
Overflow Inc: Overflow Cover:
Inner Bowl Depth (mm):