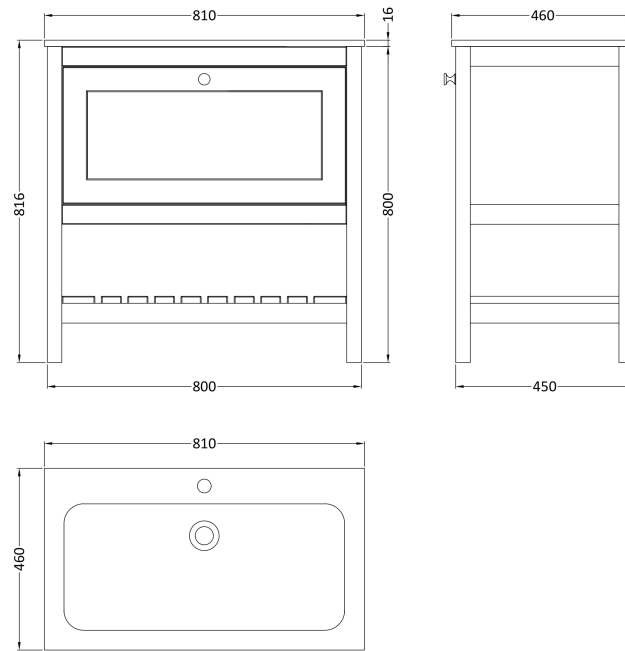


Sales Code: BEX827P

Description: 800 F/S Drawer & Stone Basin 1Th

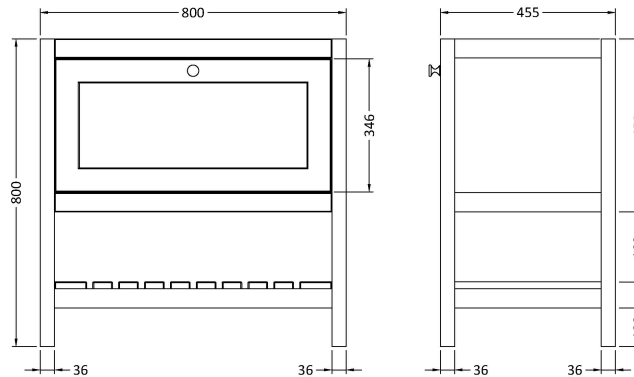
### Packaging Details

Barcode: 5056817714710



Sales Code: BEX827N

Description: 800 F/S Single Drawer Unit



### Product Dimensions

Height (mm):	800
Width (mm):	795
Depth (mm):	450
Nett Weight (kg):	25.5

### Packaging Dimensions

Height (mm):	820
Width (mm):	820
Depth (mm):	475
Gross Weight (kg):	26

### Packaging Data

Box Colour:	Brown Cardboard Box
Box Qty:	1
Label Size:	150 x 100
Label Colour:	White Label
Label Qty:	2

### Outer Box Dimensions (If Applicable)

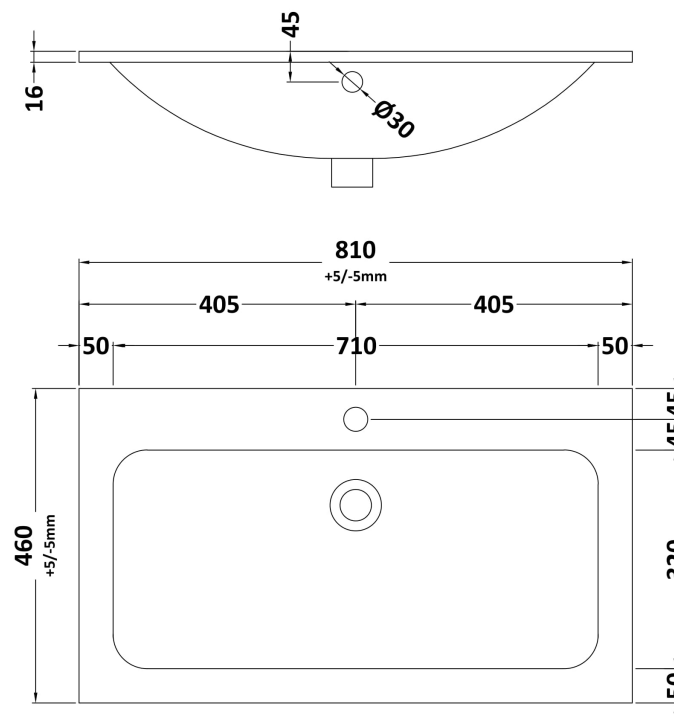
Height (mm):	
Width (mm):	
Depth (mm):	
Gross Weight (kg):	
Barcode:	5056678497739

### Product Details

Country of Origin:	Ireland
Fitting Instruction:	No
CE & UKCA:	
FSC Certified Materials:	Yes
Colour:	Matt Green
Construction Method:	Cam & Wood Dowel
Construction Type:	Rigid
Cabinet Finish:	MFC Smooth Matt
Fascia Finish:	MFC Smooth Matt
Cabinet Thickness (mm):	18
Fascia Thickness (mm):	18
Drawer Included:	Yes
Drawer Type:	80mm High Metal S/C Inc Galler
No of Shelves:	1
Hinge Type:	Not Applicable
Hinge Included:	No
Adjustable Legs:	Not Applicable
Fixings Included:	Not Required
Handle Style:	Traditional
Waste Shroud:	Yes
Handle Included:	Yes
Handle Type:	Knob

Sales Code: SBM105

Description: 810 X 460mm Basin 1T/H



### Product Dimensions

Height (mm):	
Width (mm):	
Depth (mm):	
Nett Weight (kg):	16

### Packaging Dimensions

Height (mm):	200
Width (mm):	875
Depth (mm):	530
Gross Weight (kg):	16.5

### Packaging Data

Box Colour:	
Box Qty:	
Label Size:	x
Label Colour:	
Label Qty:	

### Outer Box Dimensions (If Applicable)

Height (mm):	
Width (mm):	
Depth (mm):	
Gross Weight (kg):	
Barcode:	5056678424346

### Product Details

Country of Origin:	China
Fitting Instruction:	No
Certification: CE & UKCA:	WRAS: WRAS No:
Product Material:	
Fixing Supplied:	

**Pans/Bidets:** Trap Style: Includes Seat:

**Seats:** Seat Type: Material:  
Function: Hinge Type:  
Hinge Material:

**Cisterns:** Operating Type: Fittings:  
Lever Type:

**Basins:** Tap Hole: Chain Stay Hole:  
Template: Waste Type Req:  
Overflow Inc: Overflow Cover:  
Inner Bowl Depth (mm):