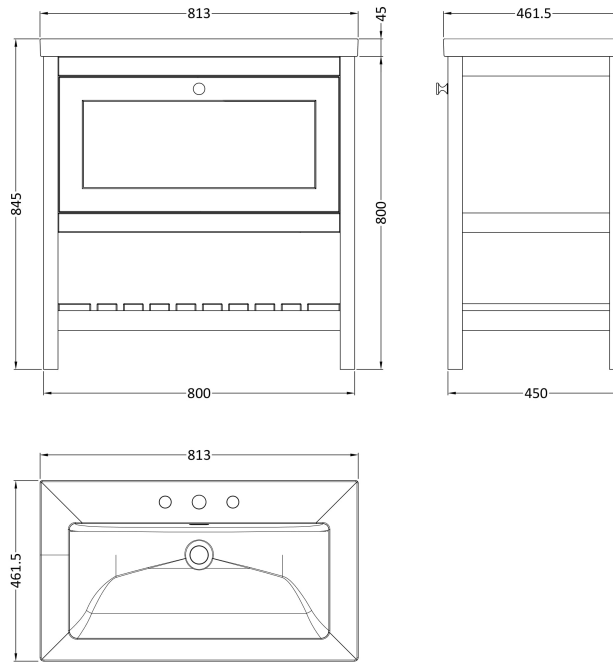


Sales Code: BEX827M

Description: 800 F/S Drawer Contemporary Basin 3Th

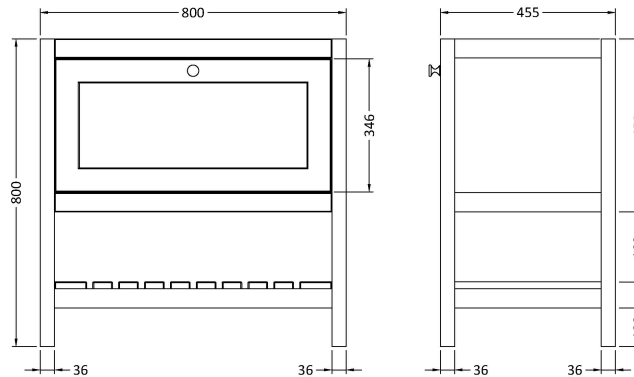
### Packaging Details

Barcode: 5056817714550



Sales Code: BEX827N

Description: 800 F/S Single Drawer Unit



### Product Dimensions

Height (mm):	800
Width (mm):	795
Depth (mm):	450
Nett Weight (kg):	25.5

### Packaging Dimensions

Height (mm):	820
Width (mm):	820
Depth (mm):	475
Gross Weight (kg):	26

### Packaging Data

Box Colour:	Brown Cardboard Box
Box Qty:	1
Label Size:	150 x 100
Label Colour:	White Label
Label Qty:	2

### Outer Box Dimensions (If Applicable)

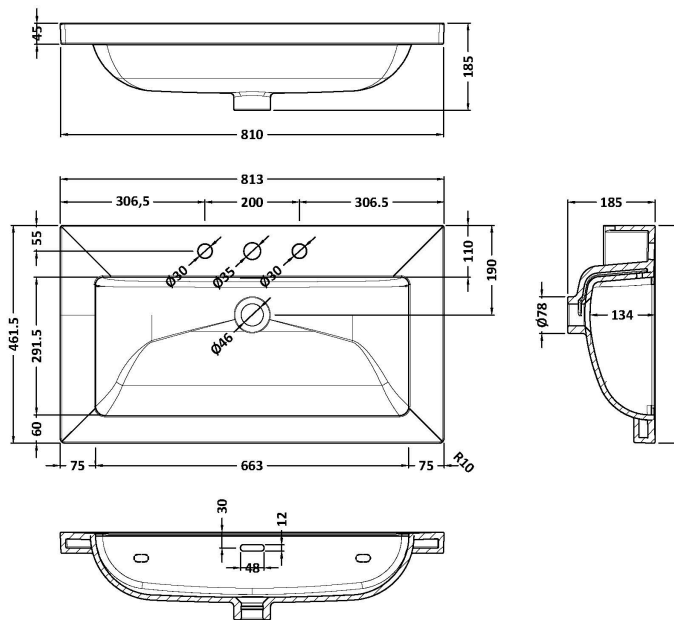
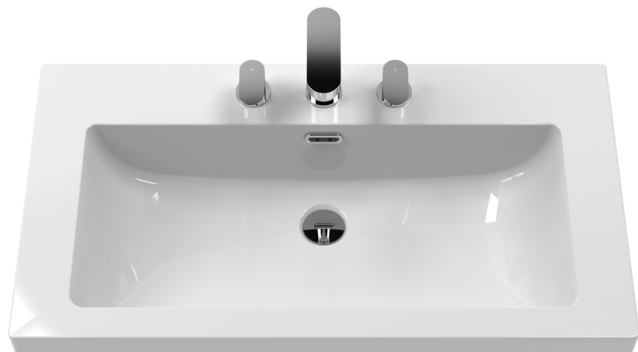
Height (mm):	
Width (mm):	
Depth (mm):	
Gross Weight (kg):	
Barcode:	5056678497739

### Product Details

Country of Origin:	Ireland
Fitting Instruction:	No
CE & UKCA:	
FSC Certified Materials:	Yes
Colour:	Matt Green
Construction Method:	Cam & Wood Dowel
Construction Type:	Rigid
Cabinet Finish:	MFC Smooth Matt
Fascia Finish:	MFC Smooth Matt
Cabinet Thickness (mm):	18
Fascia Thickness (mm):	18
Drawer Included:	Yes
Drawer Type:	80mm High Metal S/C Inc Galler
No of Shelves:	1
Hinge Type:	Not Applicable
Hinge Included:	No
Adjustable Legs:	Not Applicable
Fixings Included:	Not Required
Handle Style:	Traditional
Waste Shroud:	Yes
Handle Included:	Yes
Handle Type:	Knob

Sales Code: CBM635

Description: 800 X 460 Contemporary Basin 3Th



**Product Dimensions**

Height (mm):	45
Width (mm):	813
Depth (mm):	461
Nett Weight (kg):	22.2

**Packaging Dimensions**

Height (mm):	490
Width (mm):	850
Depth (mm):	220
Gross Weight (kg):	22.5

**Packaging Data**

Box Colour:	Brown Cardboard Box - Printed
Box Qty:	1
Label Size:	100 x 50
Label Colour:	White Label
Label Qty:	2

**Outer Box Dimensions (If Applicable)**

Height (mm):	
Width (mm):	
Depth (mm):	
Gross Weight (kg):	
Barcode:	5056678485279

**Product Details**

Country of Origin:	Utd.Arab.Emir.
Fitting Instruction:	No
Certification: CE & UKCA:	No WRAS: N/A WRAS No: N/A
Product Material:	Fireclay
Fixing Supplied:	No

**Pans/Bidets:** Trap Style: N/A Includes Seat: Not Applicable

**Seats:** Seat Type: N/A Material: Not Applicable  
 Function: Not Applicable Hinge Type: Not Applicable  
 Hinge Material: Not Applicable

**Cisterns:** Operating Type: Not Applicable Fittings: Not Applicable  
 Lever Type: Not Applicable

**Basins:** Tap Hole: Three Tapholes Chain Stay Hole: No  
 Template: Not Required Waste Type Req: Slotted  
 Overflow Inc: Yes Overflow Cover: Yes  
 Inner Bowl Depth (mm): 134mm