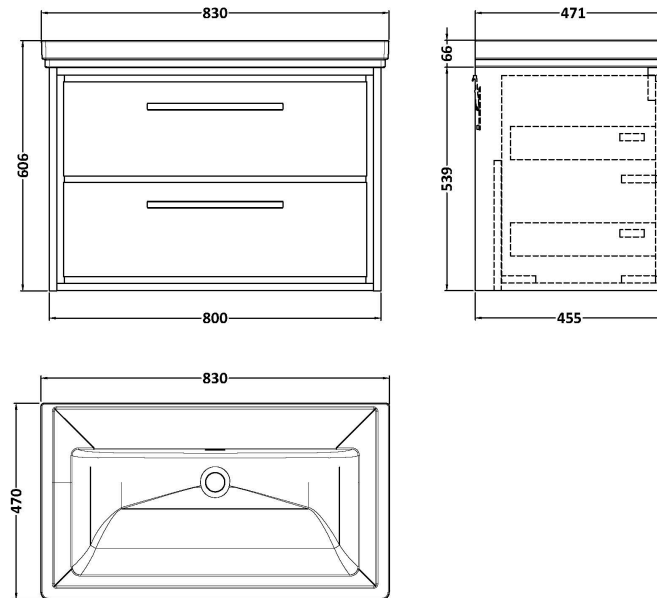


Sales Code: LIL3226H

Description: 800 Wh 2-Drawer Unit Classique Basin 0Th

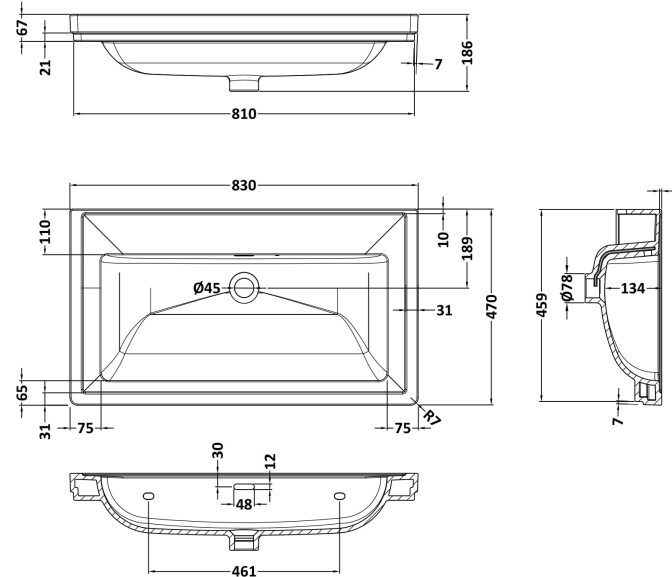
### Packaging Details

Barcode: 5056817718268



Sales Code: CBM515

Description: 800 Classique Basin 0Th



**Product Dimensions**

Height (mm):	67
Width (mm):	830
Depth (mm):	470
Nett Weight (kg):	21.5

**Packaging Dimensions**

Height (mm):	490
Width (mm):	850
Depth (mm):	220
Gross Weight (kg):	21.5

**Packaging Data**

Box Colour:	Brown Cardboard Box - Printed
Box Qty:	1
Label Size:	100 x 50
Label Colour:	White Label
Label Qty:	2

**Outer Box Dimensions (If Applicable)**

Height (mm):	
Width (mm):	
Depth (mm):	
Gross Weight (kg):	
Barcode:	5056678431207

**Product Details**

Country of Origin:	Utd.Arab.Emir.	
Fitting Instruction:	No	
Certification: CE & UKCA: No	WRAS: N/A	WRAS No: N/A
Product Material:	Fireclay	
Fixing Supplied:	No	

**Pans/Bidets:** Trap Style: N/A Includes Seat: Not Applicable

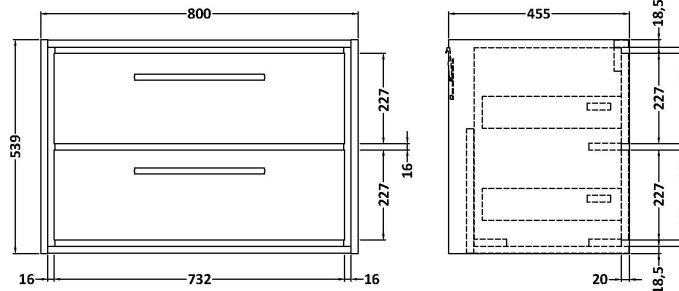
**Seats:** Seat Type: N/A Material: Not Applicable  
 Function: Not Applicable Hinge Type: Not Applicable  
 Hinge Material: Not Applicable

**Cisterns:** Operating Type: Not Applicable Fittings: Not Applicable  
 Lever Type: Not Applicable

**Basins:** Tap Hole: Not Applicable Chain Stay Hole: No  
 Template: Not Required Waste Type Req: Slotted  
 Overflow Inc: Yes Overflow Cover: Yes  
 Inner Bowl Depth (mm): 134mm

**Sales Code:** NFF3226

**Description:** 800 Wh 2-Drawer Unit (455 Deep)



**Product Dimensions**

Height (mm):	539
Width (mm):	800
Depth (mm):	455
Nett Weight (kg):	39

**Packaging Dimensions**

Height (mm):	577
Width (mm):	832
Depth (mm):	480
Gross Weight (kg):	39.5

**Packaging Data**

Box Colour:	Brown Cardboard Box - Printed
Box Qty:	0
Label Size:	0 x 0
Label Colour:	White Label
Label Qty:	2

**Outer Box Dimensions (If Applicable)**

Height (mm):	
Width (mm):	
Depth (mm):	
Gross Weight (kg):	
Barcode:	5056678423899

**Product Details**

Country of Origin:	China
Fitting Instruction:	No
CE & UKCA:	N/A
FSC Certified Materials:	Yes
Colour:	Pebble Grey
Construction Method:	Cam & Wood Dowel
Construction Type:	Rigid
Cabinet Finish:	MFC Textured Woodgrain
Fascia Finish:	MFC Textured Woodgrain
Cabinet Thickness (mm):	18
Fascia Thickness (mm):	18
Drawer Included:	Yes
Drawer Type:	80mm High Metal S/C Inc Galler
No of Shelves:	0
Hinge Type:	Not Applicable
Hinge Included:	Not Applicable
Adjustable Legs:	No, Not Required
Fixings Included:	Yes
Handle Style:	Contemporary
Waste Shroud:	Yes
Handle Included:	Yes, Supplied
Handle Type:	D-Shape