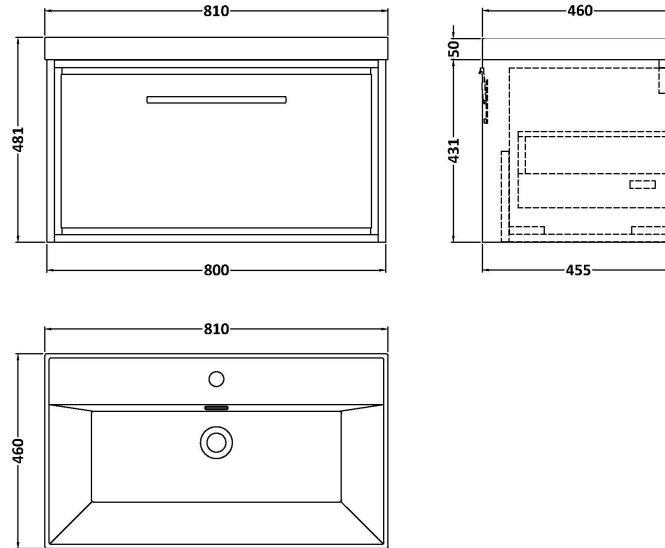


Sales Code: LIL2325E

Description: 800 Wh 1-Drawer Unit Thin Edge Basin 1Th

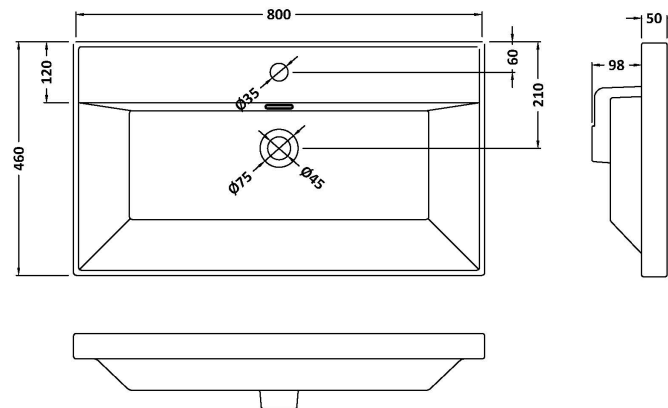
Packaging Details

Barcode: 5056678423509



Sales Code: NVM065

Description: 810 X 465 Thin-Edge Basin 1Th



Product Dimensions

Height (mm):	148
Width (mm):	800
Depth (mm):	460
Nett Weight (kg):	17.5

Packaging Dimensions

Height (mm):	170
Width (mm):	825
Depth (mm):	480
Gross Weight (kg):	18

Packaging Data

Box Colour:	Brown Cardboard Box - Printed
Box Qty:	1
Label Size:	100 x 50
Label Colour:	White Label
Label Qty:	2

Outer Box Dimensions (If Applicable)

Height (mm):	
Width (mm):	
Depth (mm):	
Gross Weight (kg):	
Barcode:	5056678484876

Product Details

Country of Origin:	China
Fitting Instruction:	No
Certification: CE & UKCA:	No
WRAS:	N/A
WRAS No:	N/A
Product Material:	Vitreous China
Fixing Supplied:	No

Pans/Bidets: Trap Style: Not Applicable Includes Seat: Not Applicable

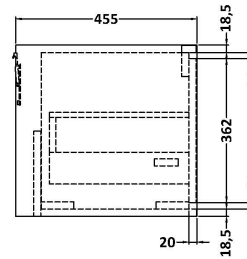
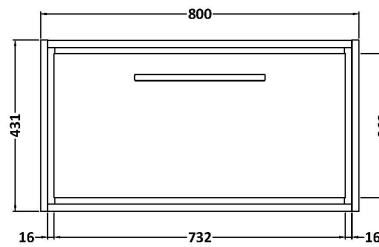
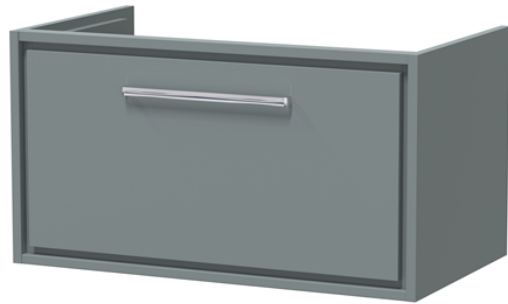
Seats: Seat Type: Not Applicable Material: Not Applicable
 Function: Not Applicable Hinge Type: Not Applicable
 Hinge Material: Not Applicable

Cisterns: Operating Type: Not Applicable Fittings: Not Applicable
 Lever Type: Not Applicable

Basins: Tap Hole: One Taphole Chain Stay Hole: No
 Template: Not Required Waste Type Req: Slotted
 Overflow Inc: Yes Overflow Cover: Yes
 Inner Bowl Depth (mm): 98mm

Sales Code: NFF2325

Description: 800 Single Drawer Unit (455 Deep)



Product Dimensions

Height (mm):	431
Width (mm):	800
Depth (mm):	455
Nett Weight (kg):	30

Packaging Dimensions

Height (mm):	470
Width (mm):	832
Depth (mm):	480
Gross Weight (kg):	30.5

Packaging Data

Box Colour:	Brown Cardboard Box - Printed
Box Qty:	0
Label Size:	0 x 0
Label Colour:	White Label
Label Qty:	2

Outer Box Dimensions (If Applicable)

Height (mm):	
Width (mm):	
Depth (mm):	
Gross Weight (kg):	
Barcode:	5056678424025

Product Details

Country of Origin:	China
Fitting Instruction:	No
CE & UKCA:	N/A
FSC Certified Materials:	Yes
Colour:	Monument Grey
Construction Method:	Cam & Wood Dowel
Construction Type:	Rigid
Cabinet Finish:	MFC Textured Woodgrain
Fascia Finish:	MFC Textured Woodgrain
Cabinet Thickness (mm):	18
Fascia Thickness (mm):	18
Drawer Included:	Yes
Drawer Type:	80mm High Metal S/C Inc Galler
No of Shelves:	0
Hinge Type:	Not Applicable
Hinge Included:	Not Applicable
Adjustable Legs:	No, Not Required
Fixings Included:	Yes
Handle Style:	Contemporary
Waste Shroud:	Yes
Handle Included:	Yes, Supplied
Handle Type:	D-Shape