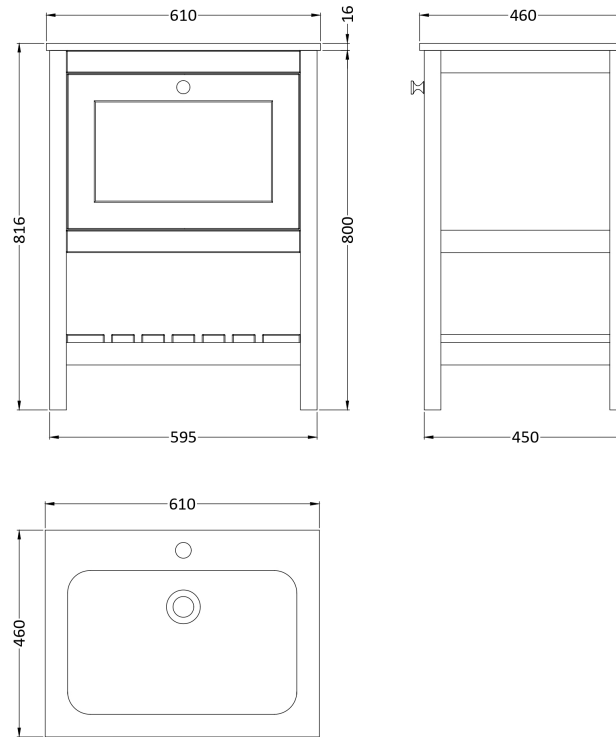


Sales Code: BEX825P

Description: 600 F/S Drawer & Stone Basin 1Th

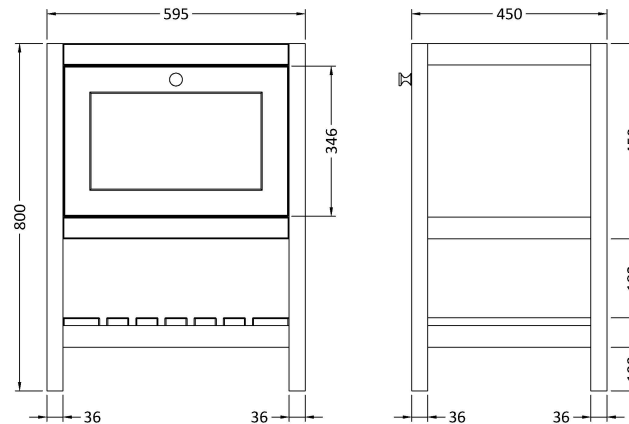


### Packaging Details

Barcode: 5056817714635

Sales Code: BEX825N

Description: 600 F/S Single Drawer Unit



### Product Dimensions

Height (mm):	800
Width (mm):	595
Depth (mm):	450
Nett Weight (kg):	20.5

### Packaging Dimensions

Height (mm):	820
Width (mm):	615
Depth (mm):	470
Gross Weight (kg):	21

### Packaging Data

Box Colour:	Brown Cardboard Box
Box Qty:	1
Label Size:	150 x 100
Label Colour:	White Label
Label Qty:	2

### Outer Box Dimensions (If Applicable)

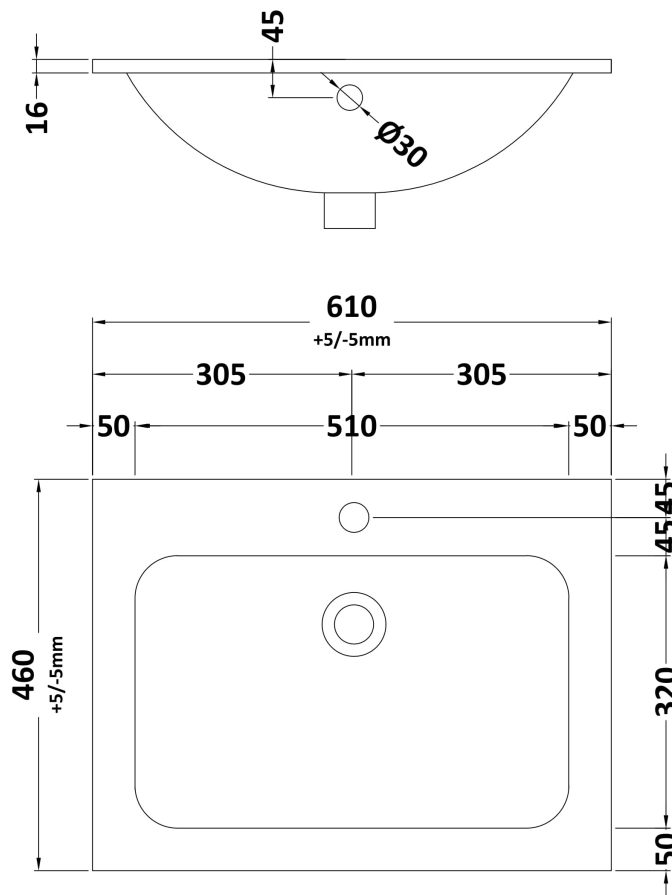
Height (mm):	
Width (mm):	
Depth (mm):	
Gross Weight (kg):	
Barcode:	5056678497722

### Product Details

Country of Origin:	Ireland
Fitting Instruction:	No
CE & UKCA:	
FSC Certified Materials:	Yes
Colour:	Matt Green
Construction Method:	Cam & Wood Dowel
Construction Type:	Rigid
Cabinet Finish:	MFC Smooth Matt
Fascia Finish:	MFC Smooth Matt
Cabinet Thickness (mm):	18
Fascia Thickness (mm):	18
Drawer Included:	Yes
Drawer Type:	80mm High Metal S/C Inc Galler
No of Shelves:	1
Hinge Type:	Not Applicable
Hinge Included:	No
Adjustable Legs:	Not Applicable
Fixings Included:	Not Required
Handle Style:	Traditional
Waste Shroud:	Yes
Handle Included:	Yes
Handle Type:	Knob

Sales Code: SBM103

Description: 610 X 460mm Basin 1T/H



**Product Dimensions**

Height (mm):  
 Width (mm):  
 Depth (mm):  
 Nett Weight (kg): 13.5

**Packaging Dimensions**

Height (mm): 200  
 Width (mm): 675  
 Depth (mm): 530  
 Gross Weight (kg): 14

**Packaging Data**

Box Colour:  
 Box Qty:  
 Label Size: x  
 Label Colour:  
 Label Qty:

**Outer Box Dimensions (If Applicable)**

Height (mm):  
 Width (mm):  
 Depth (mm):  
 Gross Weight (kg):  
 Barcode: 5056678424360

**Product Details**

Country of Origin: China  
 Fitting Instruction: No  
 Certification: CE & UKCA: WRAS: WRAS No:  
 Product Material:  
 Fixing Supplied:

**Pans/Bidets:** Trap Style: Includes Seat:

**Seats:** Seat Type: Material:  
 Function: Hinge Type:  
 Hinge Material:

**Cisterns:** Operating Type: Fittings:  
 Lever Type:

**Basins:** Tap Hole: Chain Stay Hole:  
 Template: Waste Type Req:  
 Overflow Inc: Overflow Cover:  
 Inner Bowl Depth (mm):