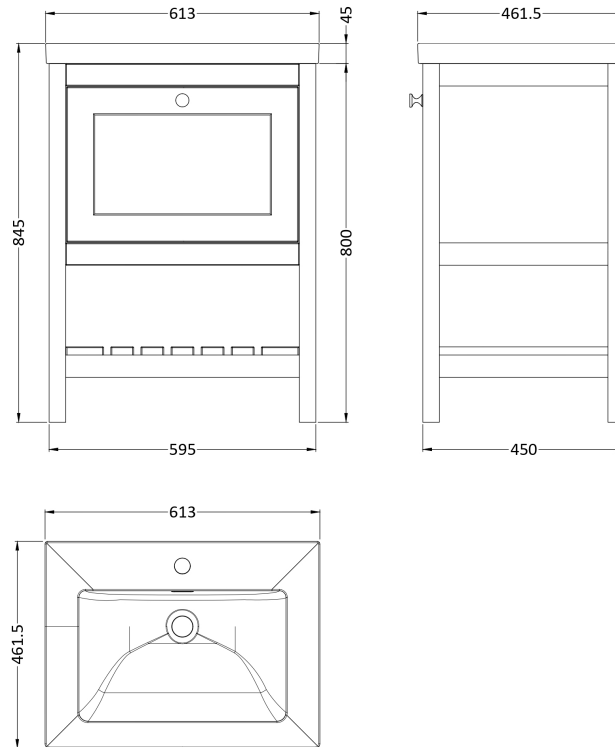


Sales Code: BEX825L

Description: 600 F/S Drawer Contemporary Basin 1Th

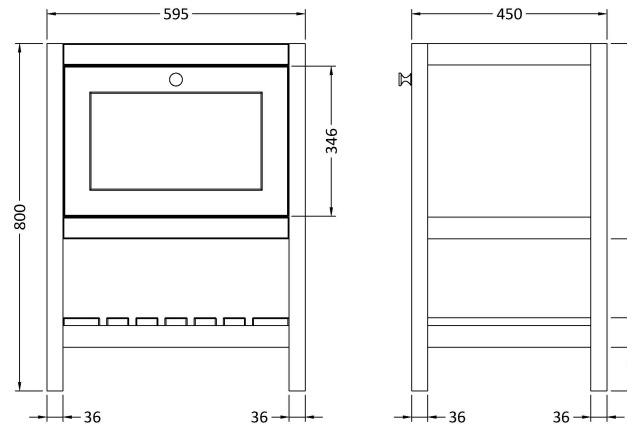
Packaging Details

Barcode: 5056817714390



Sales Code: BEX825N

Description: 600 F/S Single Drawer Unit



Product Dimensions

Height (mm):	800
Width (mm):	595
Depth (mm):	450
Nett Weight (kg):	20.5

Packaging Dimensions

Height (mm):	820
Width (mm):	615
Depth (mm):	470
Gross Weight (kg):	21

Packaging Data

Box Colour:	Brown Cardboard Box
Box Qty:	1
Label Size:	150 x 100
Label Colour:	White Label
Label Qty:	2

Outer Box Dimensions (If Applicable)

Height (mm):	
Width (mm):	
Depth (mm):	
Gross Weight (kg):	
Barcode:	5056678497722

Product Details

Country of Origin:	Ireland
Fitting Instruction:	No
CE & UKCA:	
FSC Certified Materials:	Yes
Colour:	Matt Green
Construction Method:	Cam & Wood Dowel
Construction Type:	Rigid
Cabinet Finish:	MFC Smooth Matt
Fascia Finish:	MFC Smooth Matt
Cabinet Thickness (mm):	18
Fascia Thickness (mm):	18
Drawer Included:	Yes
Drawer Type:	80mm High Metal S/C Inc Galler
No of Shelves:	1
Hinge Type:	Not Applicable
Hinge Included:	No
Adjustable Legs:	Not Applicable
Fixings Included:	Not Required
Handle Style:	Traditional
Waste Shroud:	Yes
Handle Included:	Yes
Handle Type:	Knob

