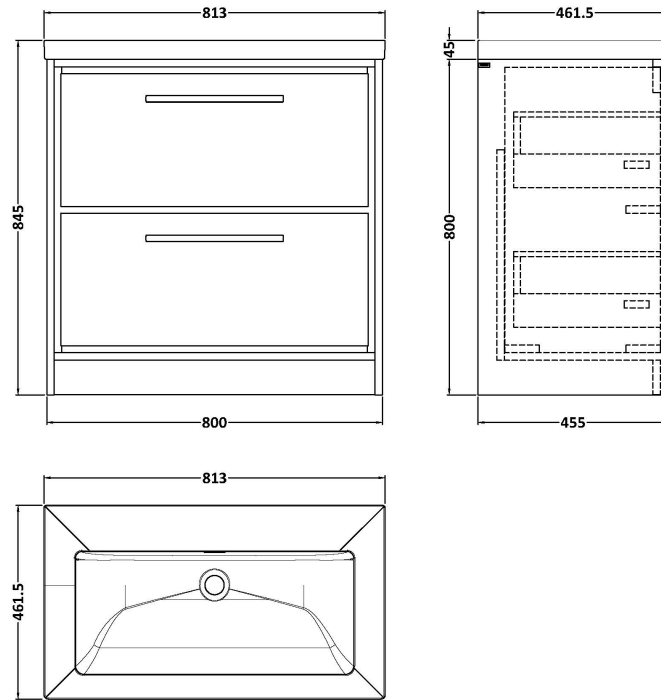


Sales Code: LIL3235K

Description: 800 Fs 2-Drawer Unit Contemp Basin 0Th

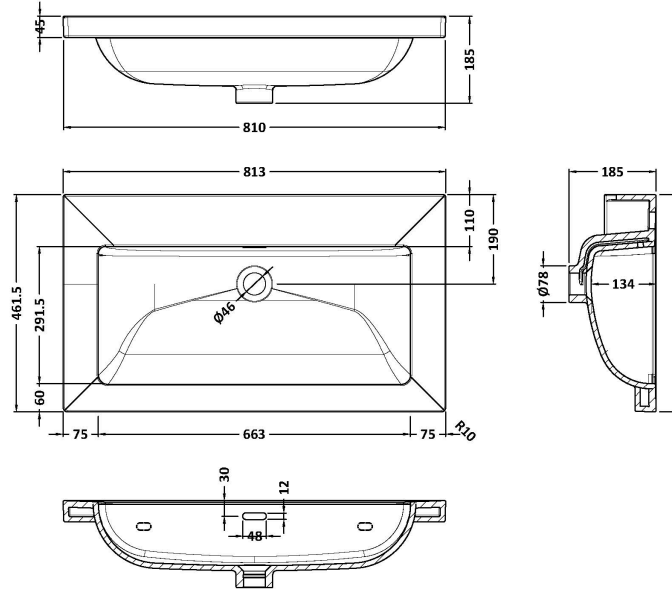
Packaging Details

Barcode: 5056817718329



Sales Code: CBM615

Description: 800 X 460 Contemporary Basin 0Th



Product Dimensions

| | |
|-------------------|------|
| Height (mm): | 45 |
| Width (mm): | 813 |
| Depth (mm): | 461 |
| Nett Weight (kg): | 22.2 |

Packaging Dimensions

| | |
|--------------------|------|
| Height (mm): | 490 |
| Width (mm): | 850 |
| Depth (mm): | 220 |
| Gross Weight (kg): | 22.5 |

Packaging Data

| | |
|---------------|-------------------------------|
| Box Colour: | Brown Cardboard Box - Printed |
| Box Qty: | 1 |
| Label Size: | 100 x 50 |
| Label Colour: | White Label |
| Label Qty: | 2 |

Outer Box Dimensions (If Applicable)

| | |
|--------------------|---------------|
| Height (mm): | |
| Width (mm): | |
| Depth (mm): | |
| Gross Weight (kg): | |
| Barcode: | 5056678485255 |

Product Details

| | | |
|---------------------------|----------------|------------------------|
| Country of Origin: | Utd.Arab.Emir. | |
| Fitting Instruction: | No | |
| Certification: CE & UKCA: | No | WRAS: N/A WRAS No: N/A |
| Product Material: | Fireclay | |
| Fixing Supplied: | No | |

Pans/Bidets: Trap Style: N/A Includes Seat: Not Applicable

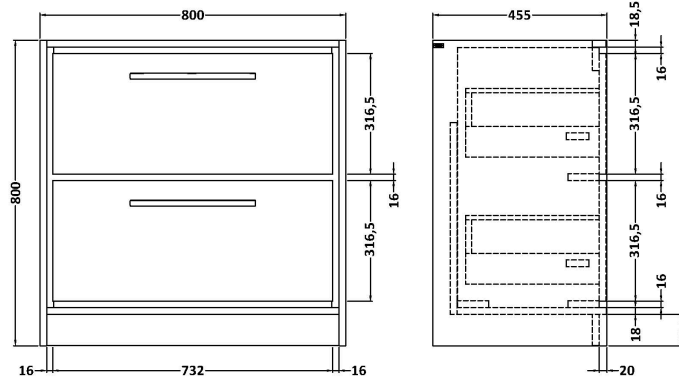
Seats: Seat Type: N/A Material: Not Applicable
 Function: Not Applicable Hinge Type: Not Applicable
 Hinge Material: Not Applicable

Cisterns: Operating Type: Not Applicable Fittings: Not Applicable
 Lever Type: Not Applicable

Basins: Tap Hole: Not Applicable Chain Stay Hole: No
 Template: Not Required Waste Type Req: Slotted
 Overflow Inc: Yes Overflow Cover: Yes
 Inner Bowl Depth (mm): 134mm

Sales Code: NFF3235

Description: 800 Fs 2-Drawer Unit (455 Deep)



Product Dimensions

| | |
|-------------------|------|
| Height (mm): | 800 |
| Width (mm): | 800 |
| Depth (mm): | 455 |
| Nett Weight (kg): | 51.5 |

Packaging Dimensions

| | |
|--------------------|-----|
| Height (mm): | 840 |
| Width (mm): | 832 |
| Depth (mm): | 480 |
| Gross Weight (kg): | 52 |

Packaging Data

| | |
|---------------|-------------------------------|
| Box Colour: | Brown Cardboard Box - Printed |
| Box Qty: | 0 |
| Label Size: | 0 x 0 |
| Label Colour: | White Label |
| Label Qty: | 2 |

Outer Box Dimensions (If Applicable)

| | |
|--------------------|---------------|
| Height (mm): | |
| Width (mm): | |
| Depth (mm): | |
| Gross Weight (kg): | |
| Barcode: | 5056678423974 |

Product Details

| | |
|--------------------------|--------------------------------|
| Country of Origin: | China |
| Fitting Instruction: | No |
| CE & UKCA: | N/A |
| FSC Certified Materials: | Yes |
| Colour: | Pebble Grey |
| Construction Method: | Cam & Wood Dowel |
| Construction Type: | Rigid |
| Cabinet Finish: | MFC Textured Woodgrain |
| Fascia Finish: | MFC Textured Woodgrain |
| Cabinet Thickness (mm): | 18 |
| Fascia Thickness (mm): | 18 |
| Drawer Included: | Yes |
| Drawer Type: | 80mm High Metal S/C Inc Galler |
| No of Shelves: | 0 |
| Hinge Type: | Not Applicable |
| Hinge Included: | Not Applicable |
| Adjustable Legs: | No, Not Required |
| Fixings Included: | Yes |
| Handle Style: | Contemporary |
| Waste Shroud: | Yes |
| Handle Included: | Yes, Supplied |
| Handle Type: | D-Shape |