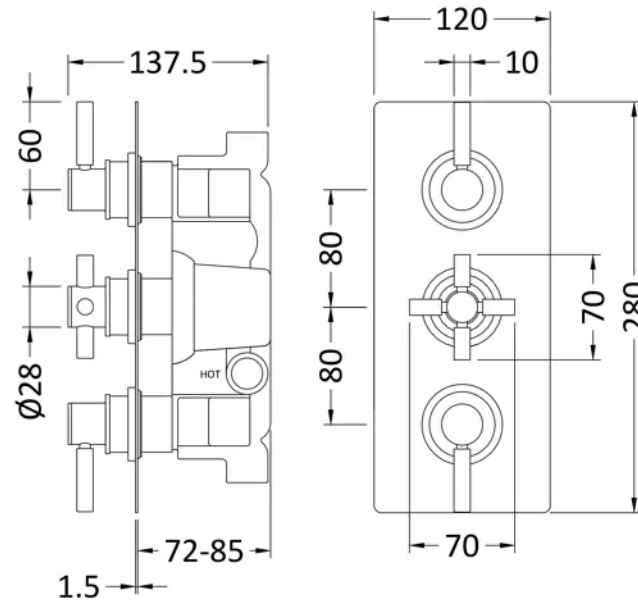


Sales Code: A8003

Barcode: 5056462673936

Brand: Hudson Reed

Description: Hudson Reed Tec Pura Brushed Brass Triple Thermostatic Shower Valve



Product Dimensions

Product	280 x 80 x 136mm (H x W x D)
Packaged	110 x 250 x 320mm (H x W x D)
Outer Box	400 x 260 x 392mm (H x W x D)
Nett Weight	5.32 kg
Packaged Weight	5.32 kg

Packaging Details

Label Size (mm)	50 x 100
Label Colour	White
Label Qty	2.0000

Product Details

Country of Origin	China
Product Material	Brass Abs
Control Type	Manual
WRAS Approved	Yes
Valve/Cartridge Type	1/4 Turn
Colour/Finish	Brushed Brass
Mount Type	Recessed/Wall
Style	Contemporary
Handle Type	Crosshead/Lever
TMV2 Approved	Yes
TMV3 Approved	No
Handset Included	No
Head Included	No
Min Operating Pressure	0.1 Bar
Minimum Operation Pressure	0 Bar
No. Outlets	2.0000
Outlet Elbow Supplied	No
Tmv2 Approval Number	2603035
Valve / Cartridge Type	1/4 Turn
Wras Approval No	250602040