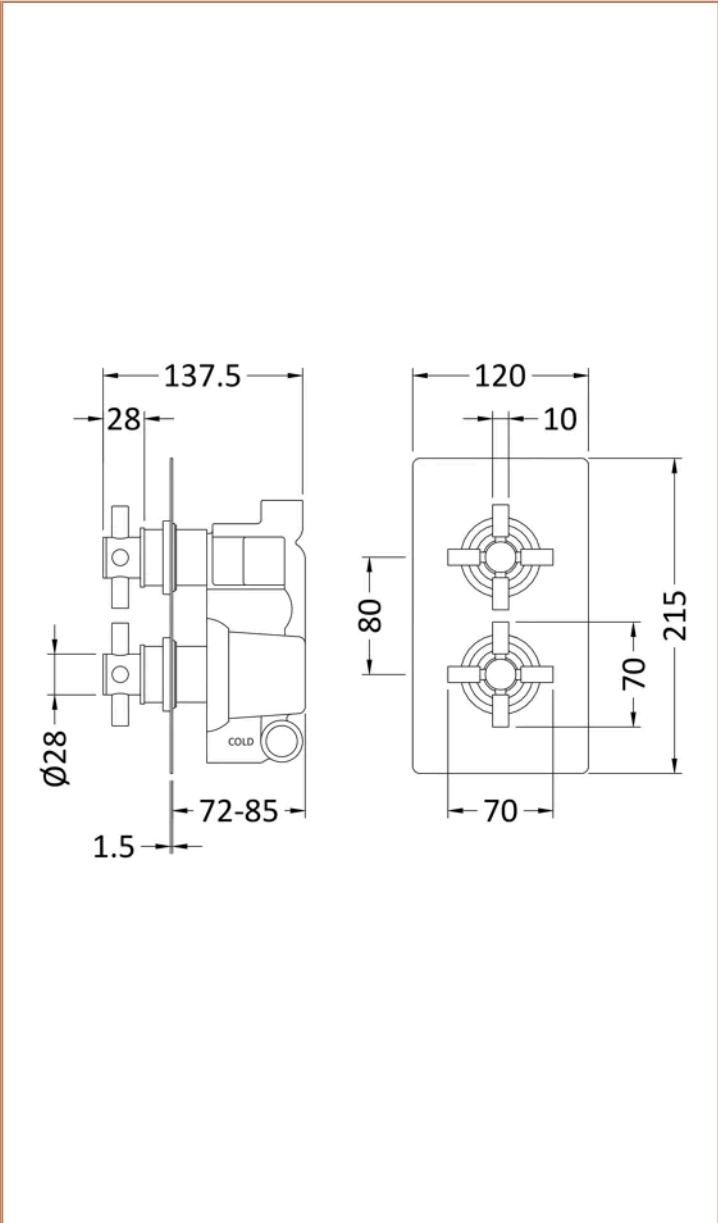


**Sales Code:**  
KRI3207

**Barcode:** 5055146152279

**Brand:** Hudson  
Reed

**Description:** Hudson Reed Tec Crosshead Chrome Dual Thermostatic Shower Valve With Diverter



**Product Dimensions**

Product	215 x 120 x 138mm (H x W x D)
Packaged	90 x 100 x 1200mm (H x W x D)
Nett Weight	4.66 kg
Packaged Weight	4.66 kg

**Packaging Details**

Label Size (mm)	50 x 100
Label Colour	White
Label Qty	2.0000

**Product Details**

Country of Origin	United Kingdom
Product Material	Brass Abs
Control Type	Manual
WRAS Approved	Yes
Valve/Cartridge Type	1/4 Turn
Colour/Finish	Chrome
Mount Type	Recessed/Wall
Style	Contemporary
Handle Type	Crosshead
TMV2 Approved	Yes
TMV3 Approved	No
Pipe Size	15 mm & 22 mm
Handset Included	No
Head Included	No
Min Operating Pressure	0.5 Bar
Minimum Operation Pressure	1 Bar
No. Outlets	2.0000
Outlet Elbow Supplied	No
Tmv2 Approval Number	2603035
Valve / Cartridge Type	1/4 Turn
Wras Approval No	250602040