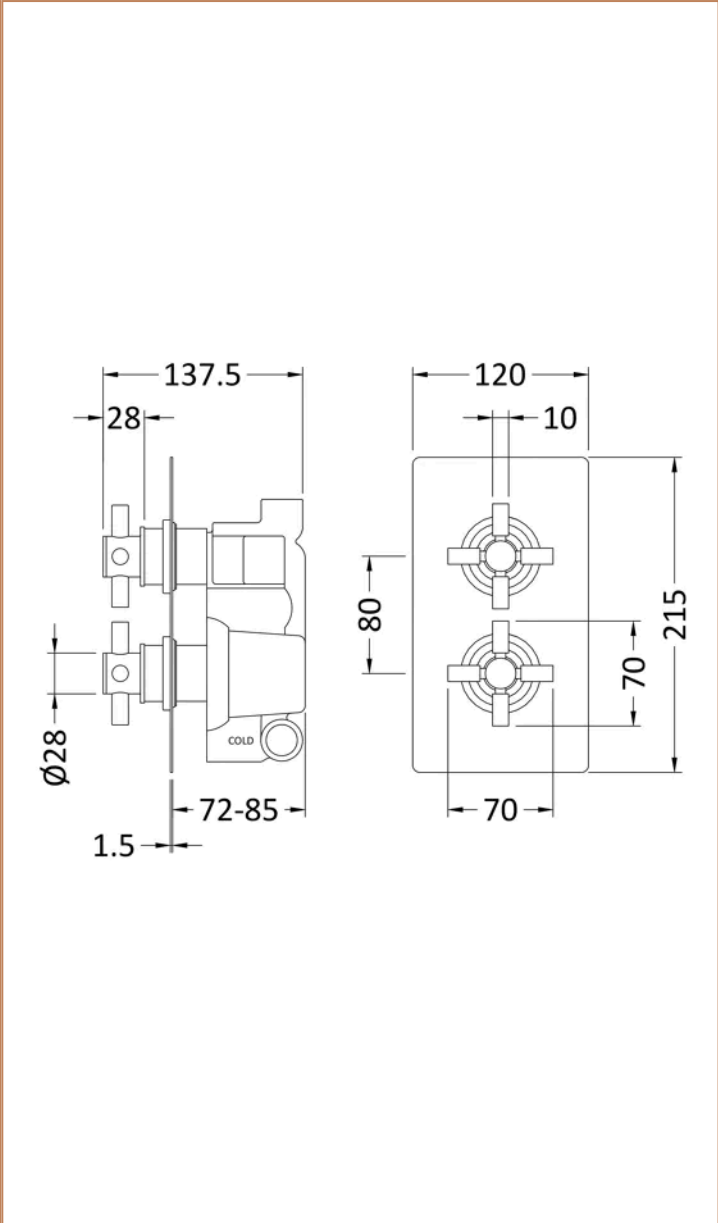


**Sales Code:** KRI3210

**Barcode:** 5055146151746

**Brand:** Hudson Reed

**Description:** Hudson Reed Tec Crosshead Chrome Thermostatic Shower Valve



### Product Dimensions

Product	215 x 120 x 138mm (H x W x D)
Packaged	110 x 240 x 250mm (H x W x D)
Nett Weight	4.68 kg
Packaged Weight	4.68 kg

### Packaging Details

Label Size (mm)	50 x 100
Label Colour	White
Label Qty	2.0000

### Product Details

Country of Origin	United Kingdom
Product Material	Brass Abs
Control Type	Manual
WRAS Approved	Yes
Valve/Cartridge Type	1/4 Turn
Colour/Finish	Chrome
Mount Type	Recessed/Wall
Style	Contemporary
Handle Type	Crosshead
TMV2 Approved	Yes
TMV3 Approved	No
Handset Included	No
Head Included	No
Min Operating Pressure	0.1 Bar
Minimum Operation Pressure	0 Bar
No. Outlets	1.0000
Outlet Elbow Supplied	No
Tmv2 Approval Number	2603035
Valve / Cartridge Type	1/4 Turn
Wras Approval No	250602040