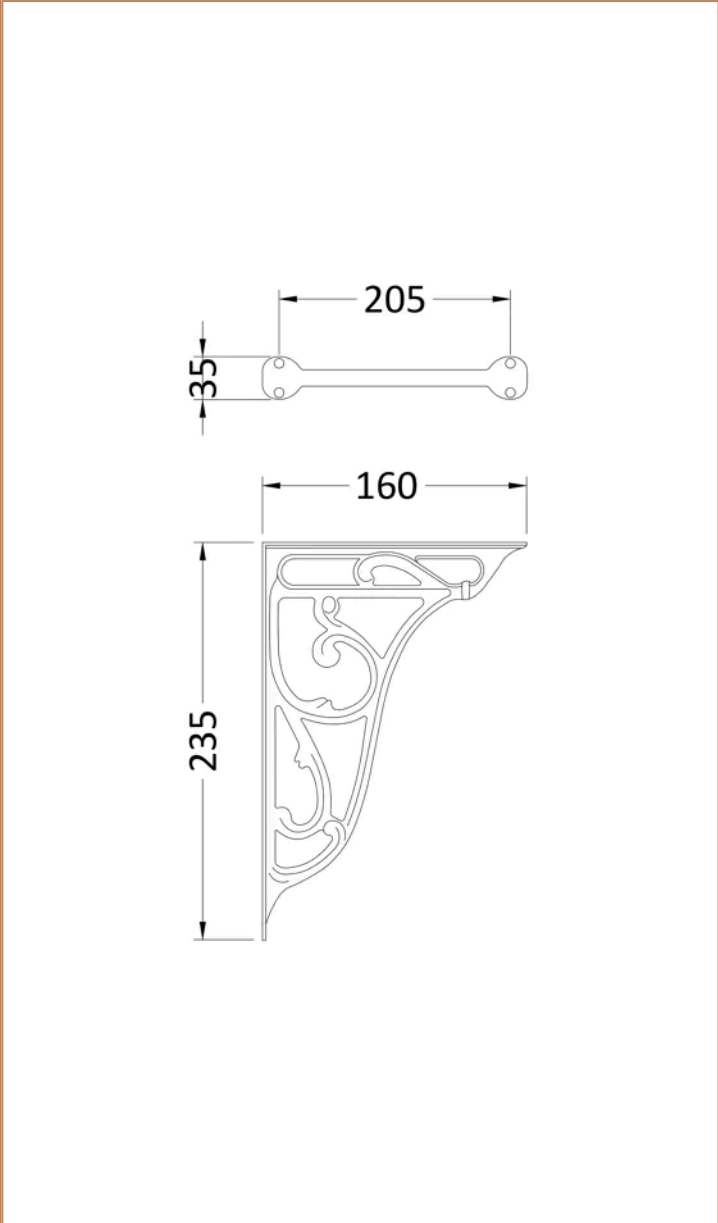
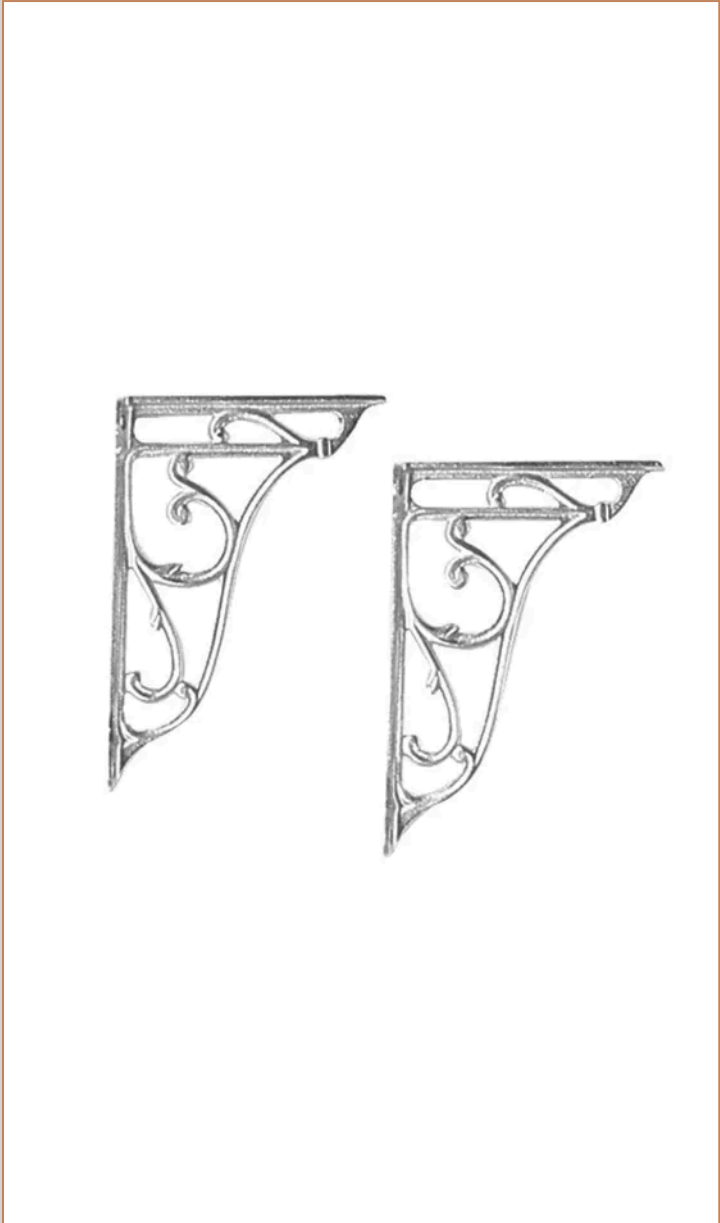


Sales Code: FA322

Barcode: 5055146106760

Brand: nuie

Description: Ornate Chrome Cistern Brackets



Product Dimensions

Product	160 x 35 x 235mm (H x W x D)
Packaged	55 x 165 x 260mm (H x W x D)
Nett Weight	1.2 kg
Packaged Weight	1.32 kg

Packaging Details

Label Size (mm)	50 x 100
Label Colour	White
Label Qty	2.0000

Product Details

Country of Origin	China
Product Material	Stainless Steel
Colour/Finish	Chrome
Style	Traditional