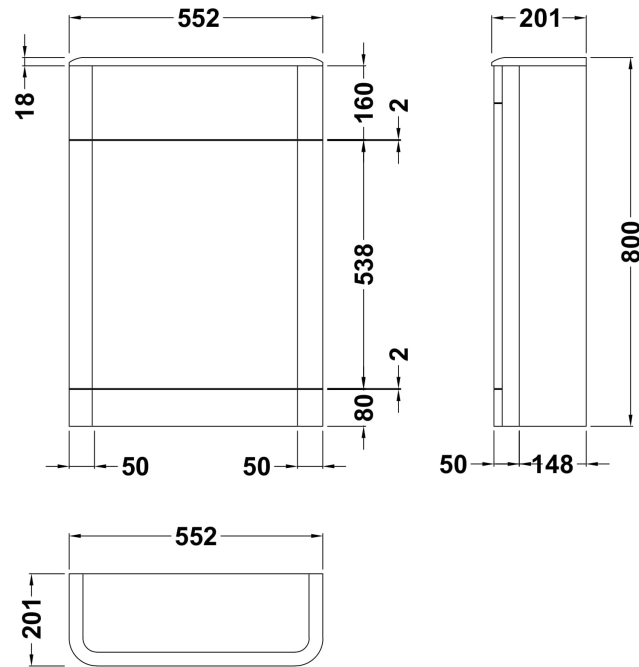


Sales Code: CUR841

Description: 550 W.C. Unit 850 X 550 X 200



Product Dimensions

Height (mm):	800
Width (mm):	550
Depth (mm):	200
Nett Weight (kg):	36.17

Packaging Dimensions

Height (mm):	910
Width (mm):	620
Depth (mm):	260
Gross Weight (kg):	36.67

Packaging Data

Box Colour:	Brown Cardboard Box
Box Qty:	1
Label Size:	150 x 100
Label Colour:	White Label
Label Qty:	2

Outer Box Dimensions (If Applicable)

Height (mm):	
Width (mm):	
Depth (mm):	
Gross Weight (kg):	
Barcode:	5056462659862

Product Details

Country of Origin:	Ireland
Fitting Instruction:	No
CE & UKCA:	
FSC Certified Materials:	Yes
Colour:	Matt Reed Green
Construction Method:	Cam & Wood Dowel
Construction Type:	Rigid
Cabinet Finish:	Mdf Vinyl Smooth Matt
Fascia Finish:	Mdf Vinyl Smooth Matt
Cabinet Thickness (mm):	18
Fascia Thickness (mm):	18
Drawer Included:	Not Applicable
Drawer Type:	Not Applicable
No of Shelves:	0
Hinge Type:	Not Applicable
Hinge Included:	Not Applicable
Adjustable Legs:	No, Not Required
Fixings Included:	No
Handle Style:	Not Applicable
Waste Shroud:	Not Applicable
Handle Included:	Not Applicable
Handle Type:	Not Applicable