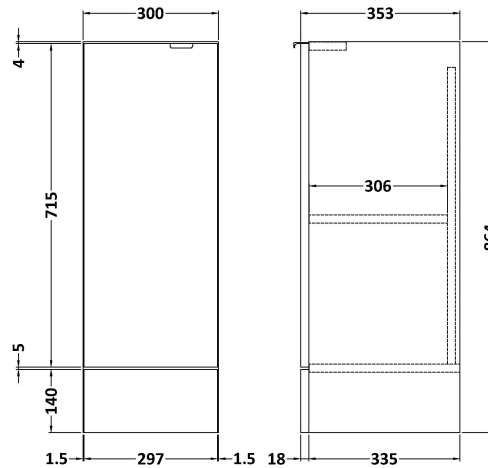


Sales Code: OFF382

Description: 300 Base Unit Full Depth



### Product Dimensions

|                   |     |
|-------------------|-----|
| Height (mm):      | 864 |
| Width (mm):       | 300 |
| Depth (mm):       | 335 |
| Nett Weight (kg): | 14  |

### Packaging Dimensions

|                    |      |
|--------------------|------|
| Height (mm):       | 375  |
| Width (mm):        | 325  |
| Depth (mm):        | 900  |
| Gross Weight (kg): | 14.5 |

### Packaging Data

|               |                     |
|---------------|---------------------|
| Box Colour:   | Brown Cardboard Box |
| Box Qty:      | 1                   |
| Label Size:   | 50 x 100            |
| Label Colour: | White Label         |
| Label Qty:    | 2                   |

### Outer Box Dimensions (If Applicable)

|                    |               |
|--------------------|---------------|
| Height (mm):       |               |
| Width (mm):        |               |
| Depth (mm):        |               |
| Gross Weight (kg): |               |
| Barcode:           | 5055275897591 |

### Product Details

|                          |                              |
|--------------------------|------------------------------|
| Country of Origin:       | United Kingdom               |
| Fitting Instruction:     | No                           |
| CE & UKCA:               |                              |
| FSC Certified Materials: | Yes                          |
| Colour:                  | Natural Oak                  |
| Construction Method:     | Cam & Wood Dowel             |
| Construction Type:       | Rigid                        |
| Cabinet Finish:          | MFC Textured Woodgrain       |
| Fascia Finish:           | MFC Textured Woodgrain       |
| Cabinet Thickness (mm):  | 18                           |
| Fascia Thickness (mm):   | 18                           |
| Drawer Included:         | No                           |
| Drawer Type:             | Not Applicable               |
| No of Shelves:           | 1                            |
| Hinge Type:              | 95 Degree Clip-On Soft Close |
| Hinge Included:          | Yes                          |
| Adjustable Legs:         | No, Not Required             |
| Fixings Included:        | Yes                          |
| Handle Style:            | Contemporary                 |
| Waste Shroud:            | No                           |
| Handle Included:         | Yes                          |
| Handle Type:             | Wrapover                     |