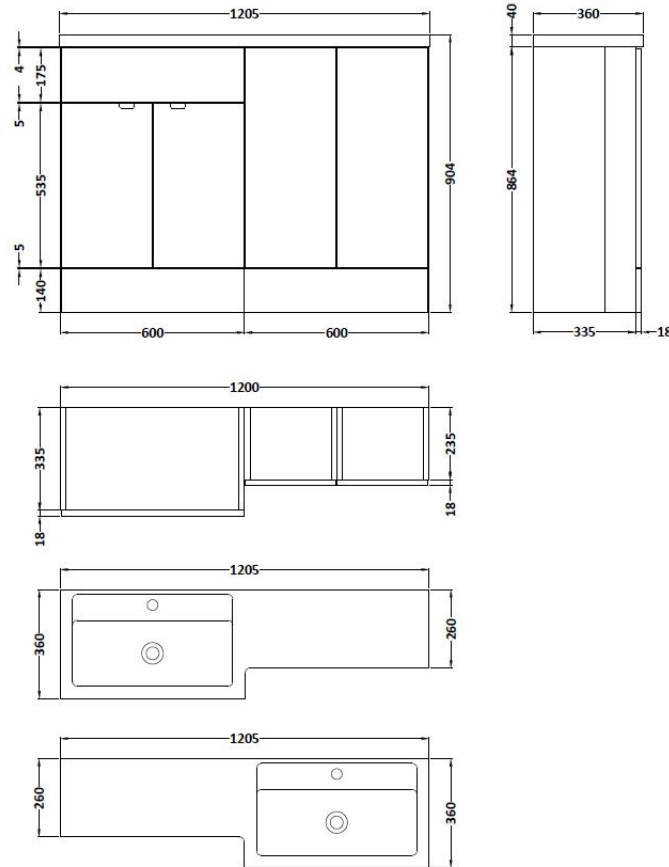


Sales Code: CBI611

Description: 1200mm Combination - Fd Option 2 - Lh

Packaging Details

Barcode: 5055275887974



Sales Code: OFF608

Description: 600 Vanity Unit (355mm Deep)



Product Dimensions

| | |
|-------------------|------|
| Height (mm): | 864 |
| Width (mm): | 600 |
| Depth (mm): | 355 |
| Nett Weight (kg): | 20.5 |

Packaging Dimensions

| | |
|--------------------|-----|
| Height (mm): | 375 |
| Width (mm): | 620 |
| Depth (mm): | 900 |
| Gross Weight (kg): | 21 |

Packaging Data

| | |
|---------------|---------------------|
| Box Colour: | Brown Cardboard Box |
| Box Qty: | 1 |
| Label Size: | 100 x 50 |
| Label Colour: | White Label |
| Label Qty: | 2 |

Outer Box Dimensions (If Applicable)

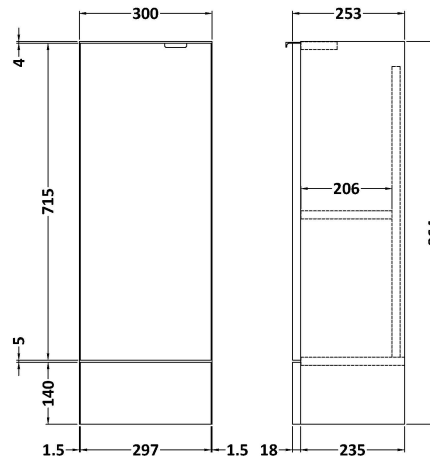
| | |
|--------------------|---------------|
| Height (mm): | |
| Width (mm): | |
| Depth (mm): | |
| Gross Weight (kg): | |
| Barcode: | 5055275817452 |

Product Details

| | |
|--------------------------|------------------------------|
| Country of Origin: | United Kingdom |
| Fitting Instruction: | No |
| CE & UKCA: | N/A |
| FSC Certified Materials: | Yes |
| Colour: | Black Woodgrain |
| Construction Method: | Cam & Wood Dowel |
| Construction Type: | Rigid |
| Cabinet Finish: | MFC Textured Woodgrain |
| Fascia Finish: | MFC Textured Woodgrain |
| Cabinet Thickness (mm): | 18 |
| Fascia Thickness (mm): | 18 |
| Drawer Included: | No |
| Drawer Type: | Not Applicable |
| No of Shelves: | 1 |
| Hinge Type: | 95 Degree Clip-On Soft Close |
| Hinge Included: | Yes |
| Adjustable Legs: | No |
| Fixings Included: | Yes |
| Handle Style: | Contemporary |
| Waste Shroud: | No |
| Handle Included: | Yes |
| Handle Type: | Wrapover |

Sales Code: OFF681

Description: 300 Base Unit (255mm Deep)



Product Dimensions

| | |
|-------------------|-----|
| Height (mm): | 864 |
| Width (mm): | 300 |
| Depth (mm): | 255 |
| Nett Weight (kg): | 11 |

Packaging Dimensions

| | |
|--------------------|------|
| Height (mm): | 290 |
| Width (mm): | 325 |
| Depth (mm): | 875 |
| Gross Weight (kg): | 11.5 |

Packaging Data

| | |
|---------------|---------------------|
| Box Colour: | Brown Cardboard Box |
| Box Qty: | 1 |
| Label Size: | 100 x 50 |
| Label Colour: | White Label |
| Label Qty: | 2 |

Outer Box Dimensions (If Applicable)

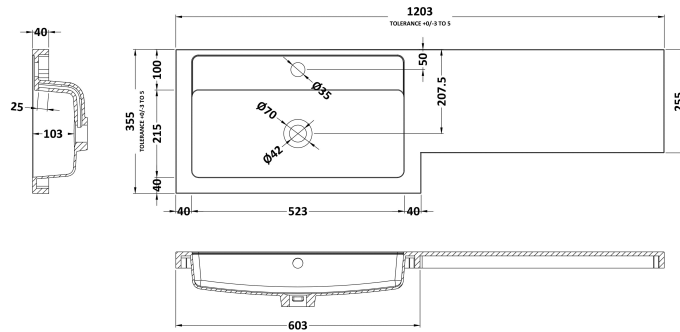
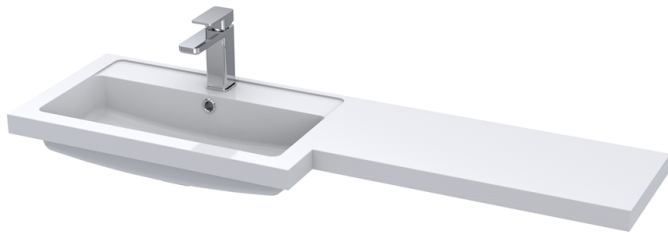
| | |
|--------------------|---------------|
| Height (mm): | |
| Width (mm): | |
| Depth (mm): | |
| Gross Weight (kg): | |
| Barcode: | 5055275817049 |

Product Details

| | |
|--------------------------|------------------------------|
| Country of Origin: | United Kingdom |
| Fitting Instruction: | No |
| CE & UKCA: | N/A |
| FSC Certified Materials: | Yes |
| Colour: | Black Woodgrain |
| Construction Method: | Cam & Wood Dowel |
| Construction Type: | Rigid |
| Cabinet Finish: | MFC Textured Woodgrain |
| Fascia Finish: | MFC Textured Woodgrain |
| Cabinet Thickness (mm): | 18 |
| Fascia Thickness (mm): | 18 |
| Drawer Included: | No |
| Drawer Type: | Not Applicable |
| No of Shelves: | 1 |
| Hinge Type: | 95 Degree Clip-On Soft Close |
| Hinge Included: | Yes |
| Adjustable Legs: | No |
| Fixings Included: | Yes |
| Handle Style: | Contemporary |
| Waste Shroud: | No |
| Handle Included: | Yes |
| Handle Type: | Wrapover |

Sales Code: PMB414L

Description: 1200 L Shaped Polymarble Basin Lh



Product Dimensions

| | |
|-------------------|------|
| Height (mm): | 135 |
| Width (mm): | 1203 |
| Depth (mm): | 355 |
| Nett Weight (kg): | 17 |

Packaging Dimensions

| | |
|--------------------|------|
| Height (mm): | 190 |
| Width (mm): | 420 |
| Depth (mm): | 1260 |
| Gross Weight (kg): | 17 |

Packaging Data

| | |
|---------------|-------------------------------|
| Box Colour: | Brown Cardboard Box - Printed |
| Box Qty: | 1 |
| Label Size: | 100 x 50 |
| Label Colour: | White Label |
| Label Qty: | 2 |

Outer Box Dimensions (If Applicable)

| | |
|--------------------|---------------|
| Height (mm): | |
| Width (mm): | |
| Depth (mm): | |
| Gross Weight (kg): | |
| Barcode: | 5055275812471 |

Product Details

| | |
|---------------------------|---------------------------|
| Country of Origin: | China |
| Fitting Instruction: | No |
| Certification: CE & UKCA: | No WRAS: N/A WRAS No: N/A |
| Product Material: | Polymarble |
| Fixing Supplied: | No |

Pans/Bidets: Trap Style: Not Applicable Includes Seat: Not Applicable

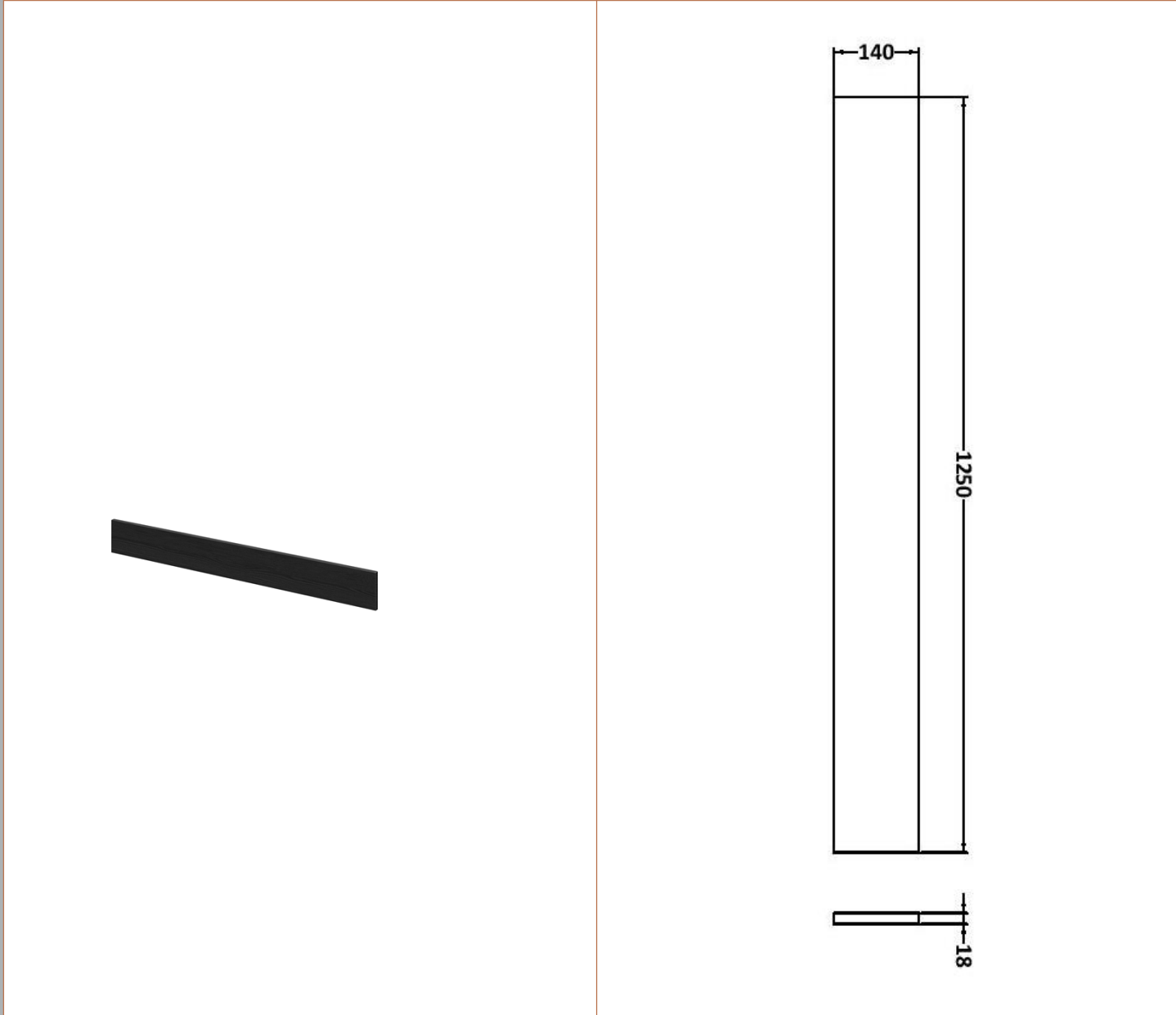
Seats: Seat Type: Not Applicable Material: Not Applicable
Function: Not Applicable Hinge Type: Not Applicable
Hinge Material: Not Applicable

Cisterns: Operating Type: Not Applicable Fittings: Not Applicable
Lever Type: Not Applicable

Basins: Tap Hole: One Taphole Chain Stay Hole: No
Template: Not Required Waste Type Req: Slotted
Overflow Inc: Yes Overflow Cover: Yes
Inner Bowl Depth (mm): 103mm

Sales Code: OFF691

Description: 1.25M Continuous Plinth (1250X140x18mm)



Product Dimensions

| | |
|-------------------|------|
| Height (mm): | 1250 |
| Width (mm): | 145 |
| Depth (mm): | 18 |
| Nett Weight (kg): | 2 |

Packaging Dimensions

| | |
|--------------------|------|
| Height (mm): | 20 |
| Width (mm): | 150 |
| Depth (mm): | 1260 |
| Gross Weight (kg): | 2 |

Packaging Data

| | |
|---------------|---------------------|
| Box Colour: | Brown Cardboard Box |
| Box Qty: | 1 |
| Label Size: | 100 x 50 |
| Label Colour: | White Label |
| Label Qty: | 2 |

Outer Box Dimensions (If Applicable)

| | |
|--------------------|---------------|
| Height (mm): | |
| Width (mm): | |
| Depth (mm): | |
| Gross Weight (kg): | |
| Barcode: | 5055275828403 |

Product Details

| | |
|--------------------------|------------------------|
| Country of Origin: | United Kingdom |
| Fitting Instruction: | No |
| CE & UKCA: | N/A |
| FSC Certified Materials: | Yes |
| Colour: | Black Woodgrain |
| Construction Method: | Not Applicable |
| Construction Type: | Flat-Pack |
| Cabinet Finish: | Not Applicable |
| Fascia Finish: | MFC Textured Woodgrain |
| Cabinet Thickness (mm): | |
| Fascia Thickness (mm): | 18 |
| Drawer Included: | Not Applicable |
| Drawer Type: | Not Applicable |
| No of Shelves: | Not Applicable |
| Hinge Type: | Not Applicable |
| Hinge Included: | Not Applicable |
| Adjustable Legs: | No |
| Fixings Included: | No |
| Handle Style: | Not Applicable |
| Waste Shroud: | Not Applicable |
| Handle Included: | No |
| Handle Type: | Not Applicable |