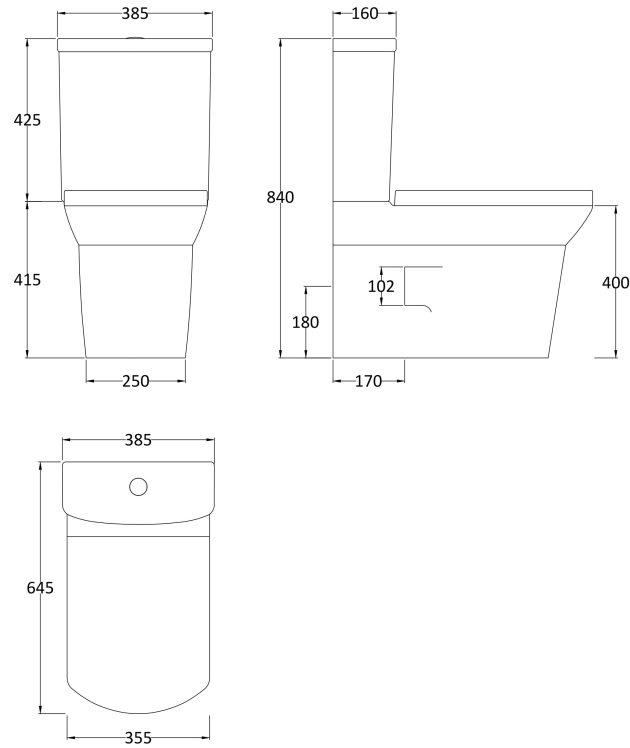


**Sales Code:** Ccl008

**Description:** Maya Flush To Wall Wc And Seat

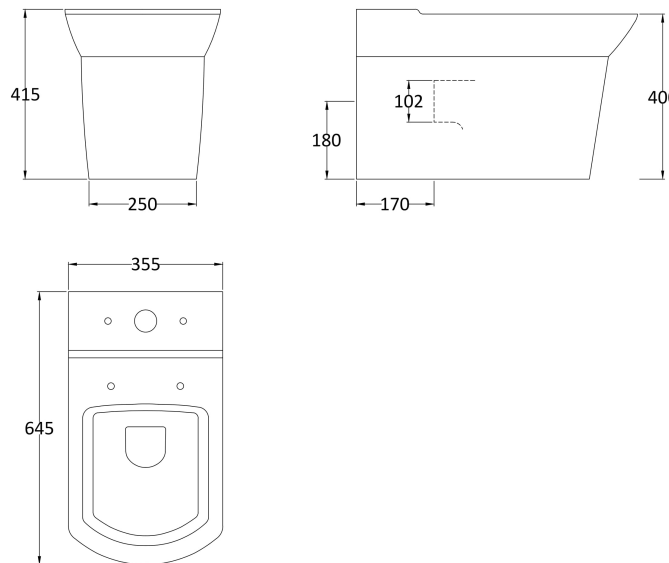
**Packaging Details**

Barcode: 5055275895689



Sales Code: NCT300

Description: Flush To Wall Cc Pan



**Product Dimensions**

Height (mm):	400
Width (mm):	350
Depth (mm):	660
Nett Weight (kg):	35.2

**Packaging Dimensions**

Height (mm):	430
Width (mm):	380
Depth (mm):	700
Gross Weight (kg):	35.2

**Packaging Data**

Box Colour:	Brown Cardboard Box
Box Qty:	1
Label Size:	100 x 50
Label Colour:	White Label
Label Qty:	2

**Outer Box Dimensions (If Applicable)**

Height (mm):	
Width (mm):	
Depth (mm):	
Gross Weight (kg):	
Barcode:	5055369063314

**Product Details**

Country of Origin:	Turkey
Fitting Instruction:	No
Certification: CE & UKCA:	Yes WRAS: N/A WRAS No: N/A
Product Material:	Vitreous China
Fixing Supplied:	No

**Pans/Bidets:** Trap Style: P Trap Includes Seat: No

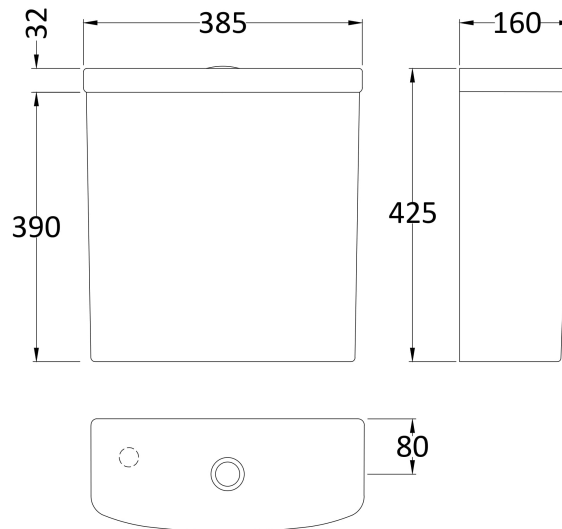
**Seats:** Seat Type: D-Shape Material: Not Applicable  
 Function: Not Applicable Hinge Type: Top Fix  
 Hinge Material: Not Applicable

**Cisterns:** Operating Type: Not Applicable Fittings: Not Applicable  
 Lever Type: Not Applicable

**Basins:** Tap Hole: Not Applicable Chain Stay Hole: Not Applicable  
 Template: Not Applicable Waste Type Req: Not Applicable  
 Overflow Inc: Not Applicable Overflow Cover: Not Applicable  
 Inner Bowl Depth (mm): N/A

Sales Code: NCT301

Description: Cistern C/W Fittings



**Product Dimensions**

Height (mm):	420
Width (mm):	390
Depth (mm):	160
Nett Weight (kg):	13.8

**Packaging Dimensions**

Height (mm):	390
Width (mm):	185
Depth (mm):	475
Gross Weight (kg):	13.8

**Packaging Data**

Box Colour:	Brown Cardboard Box
Box Qty:	1
Label Size:	100 x 50
Label Colour:	White Label
Label Qty:	2

**Outer Box Dimensions (If Applicable)**

Height (mm):	
Width (mm):	
Depth (mm):	
Gross Weight (kg):	
Barcode:	5055369063321

**Product Details**

Country of Origin:	Turkey
Fitting Instruction:	No
Certification: CE & UKCA:	Yes
WRAS:	N/A
WRAS No:	N/A
Product Material:	Vitreous China
Fixing Supplied:	No

**Pans/Bidets:** Trap Style: Not Applicable Includes Seat: Not Applicable

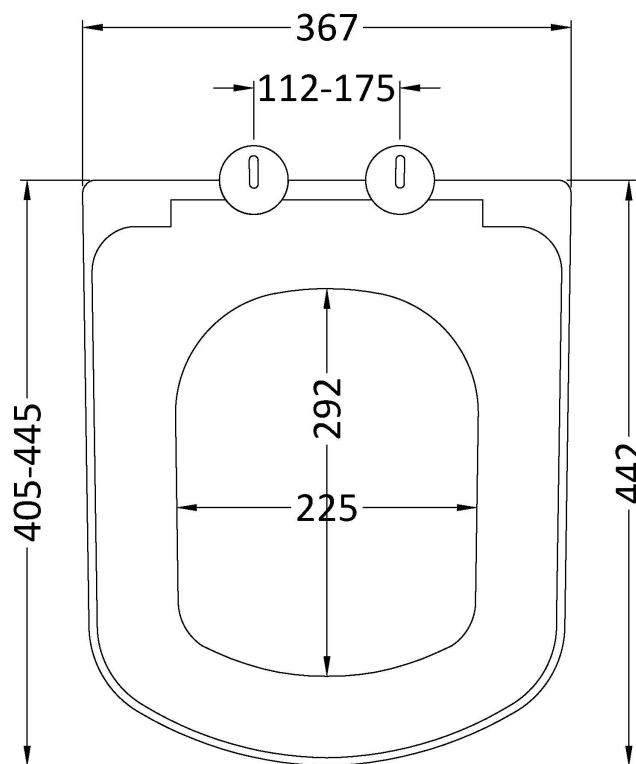
**Seats:** Seat Type: Not Applicable Material: Not Applicable  
Function: Not Applicable Hinge Type: Not Applicable  
Hinge Material: Not Applicable

**Cisterns:** Operating Type: Push Button Fittings: Loose 6/3L  
Lever Type: Plastic Chrome Platec

**Basins:** Tap Hole: Not Applicable Chain Stay Hole: Not Applicable  
Template: Not Applicable Waste Type Req: Not Applicable  
Overflow Inc: Not Applicable Overflow Cover: Not Applicable  
Inner Bowl Depth (mm): N/A

Sales Code: NCT699

Description: Soft Close Seat



### Product Dimensions

Length (mm):	425
Width (mm):	355
Height (mm):	50
Nett Weight (kg):	2.7

### Packaging Dimensions

Length (mm):	475
Width (mm):	380
Height (mm):	60
Gross Weight (kg):	2.7

### Packaging Data

Box Colour:	Brown Cardboard Box
Box Qty:	1
Label Size:	100 x 50
Label Colour:	White Label
Label Qty:	

### Outer Box Dimensions (If Applicable)

Length (mm):	317
Width (mm):	490
Height (mm):	420
Gross Weight (kg):	15
Barcode:	5055369063345

### Product Details

Country of Origin:	Turkey
Fitting Instruction:	No
CE & UKCA:	Not Applicable
Product Material:	Polypropylene
Seat Type:	D Shape
Seat Function:	Soft Close
Hinge Centres (Min):	62
Hinge Centres (Max):	170
Hinge Material:	Polypropylene
Colour/Finish:	White
Fixing Method:	Quick Release