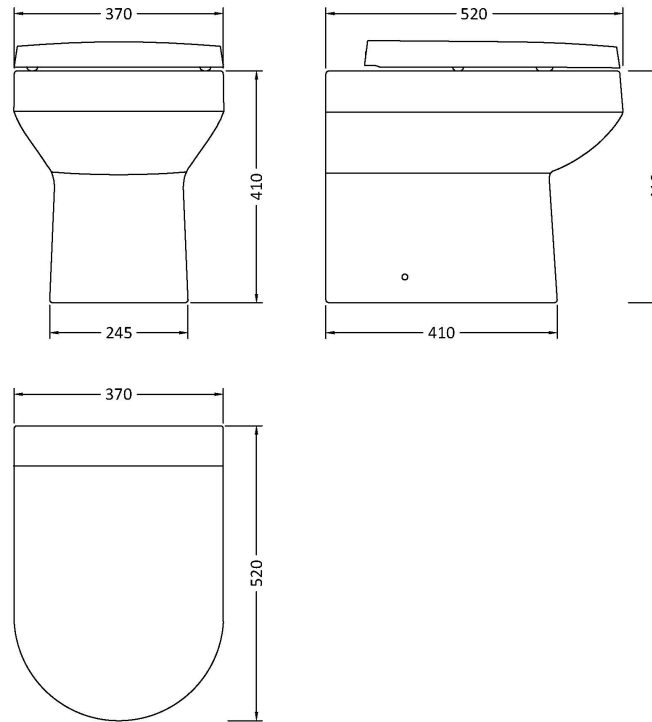


Sales Code: Chm005

Description: Harmony Btw Pan And Seat

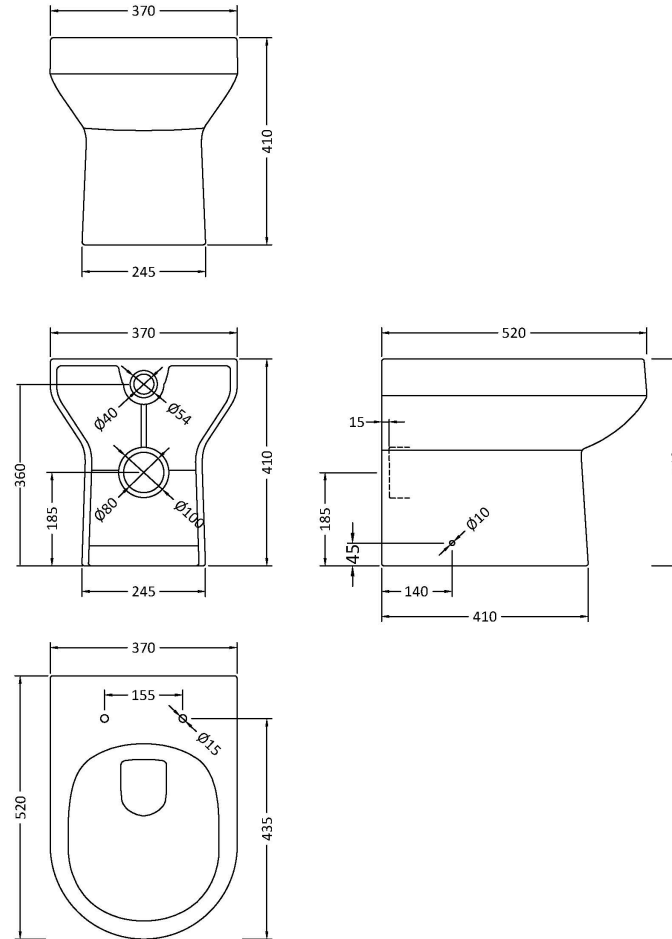
Packaging Details

Barcode: 5055275895771



Sales Code: NCH606

Description: Harmony Btw Pan



Product Dimensions

Height (mm):	410
Width (mm):	370
Depth (mm):	520
Nett Weight (kg):	24.5

Packaging Dimensions

Height (mm):	430
Width (mm):	415
Depth (mm):	570
Gross Weight (kg):	25

Packaging Data

Box Colour:	Brown Cardboard Box - Printed
Box Qty:	1
Label Size:	100 x 50
Label Colour:	White Label
Label Qty:	2

Outer Box Dimensions (If Applicable)

Height (mm):	
Width (mm):	
Depth (mm):	
Gross Weight (kg):	
Barcode:	5055369030897

Product Details

Country of Origin:	China
Fitting Instruction:	No
Certification: CE & UKCA:	No WRAS: N/A WRAS No: N/A
Product Material:	Vitreous China
Fixing Supplied:	No

Pans/Bidets: Trap Style: P Trap Includes Seat: No

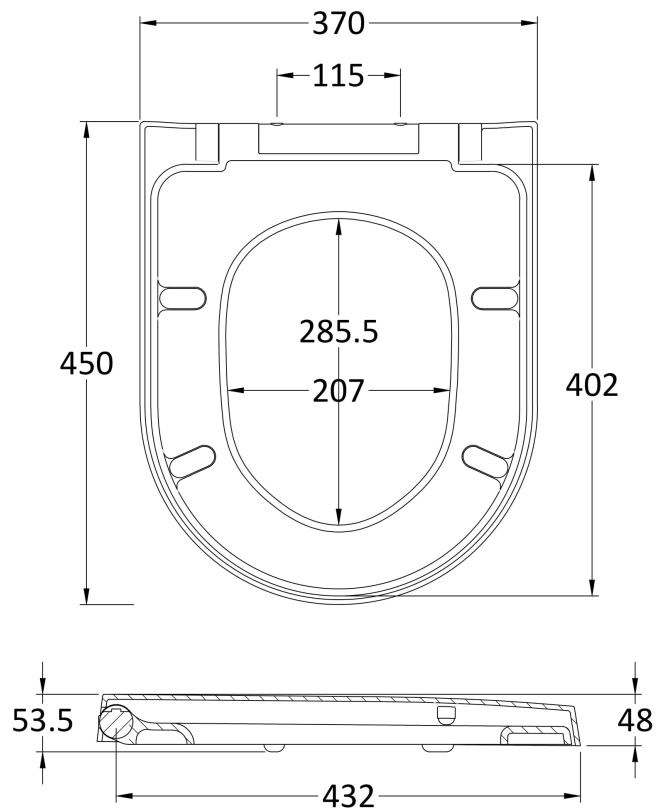
Seats: Seat Type: Not Applicable Material: Not Applicable
Function: Not Included Hinge Type: Not Applicable
Hinge Material: Not Applicable

Cisterns: Operating Type: Not Applicable Fittings: Not Applicable
Lever Type: Not Applicable

Basins: Tap Hole: No Tapholes Chain Stay Hole: Not Applicable
Template: Not Applicable Waste Type Req: Not Applicable
Overflow Inc: Not Applicable Overflow Cover: Not Applicable
Inner Bowl Depth (mm): N/A

Sales Code: NTS007

Description: Luxury D Shape Seat, Sc, Qr, Top Fix



Product Dimensions

Length (mm):	450
Width (mm):	370
Height (mm):	54
Nett Weight (kg):	1.72

Packaging Dimensions

Length (mm):	465
Width (mm):	380
Height (mm):	60
Gross Weight (kg):	2.77

Packaging Data

Box Colour:	White Cardboard Box - Printed
Box Qty:	1
Label Size:	100 x 50
Label Colour:	Not Applicable
Label Qty:	

Outer Box Dimensions (If Applicable)

Length (mm):	480
Width (mm):	330
Height (mm):	395
Gross Weight (kg):	14
Barcode:	5060272829780

Product Details

Country of Origin:	China
Fitting Instruction:	No
CE & UKCA:	Not Applicable
Product Material:	Urea
Seat Type:	D Shape
Seat Function:	Soft Close
Hinge Centres (Min):	70
Hinge Centres (Max):	175
Hinge Material:	Stainless Steel Nylon
Colour/Finish:	White
Fixing Method:	Quick Release