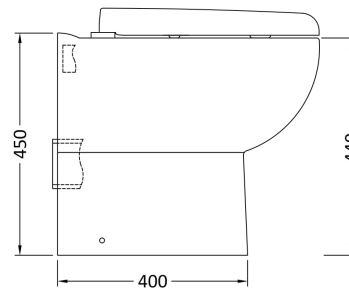
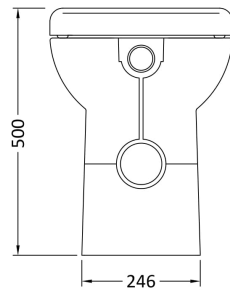
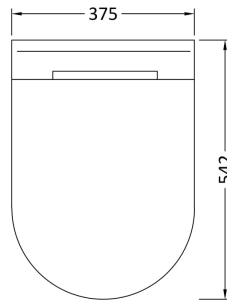


Sales Code: Cbw002

Description: Comfort Height Btw Pan & Soft Close Seat



Packaging Details

Barcode: 5056211875147

Sales Code: BTW006

Description: Lawton Comfort Height Back To Wall Pan



Product Dimensions

Height (mm):	455
Width (mm):	375
Depth (mm):	545
Nett Weight (kg):	23.6

Packaging Dimensions

Height (mm):	490
Width (mm):	400
Depth (mm):	560
Gross Weight (kg):	24

Packaging Data

Box Colour:	Brown Cardboard Box - Printed
Box Qty:	1
Label Size:	100 x 50
Label Colour:	Not Applicable
Label Qty:	2

Outer Box Dimensions (If Applicable)

Height (mm):	
Width (mm):	
Depth (mm):	
Gross Weight (kg):	
Barcode:	5056211803379

Product Details

Country of Origin:	China
Fitting Instruction:	No
Certification: CE & UKCA:	Yes
WRAS:	N/A
WRAS No:	N/A
Product Material:	Vitreous China
Fixing Supplied:	No

Pans/Bidets: Trap Style: P Trap Includes Seat: No

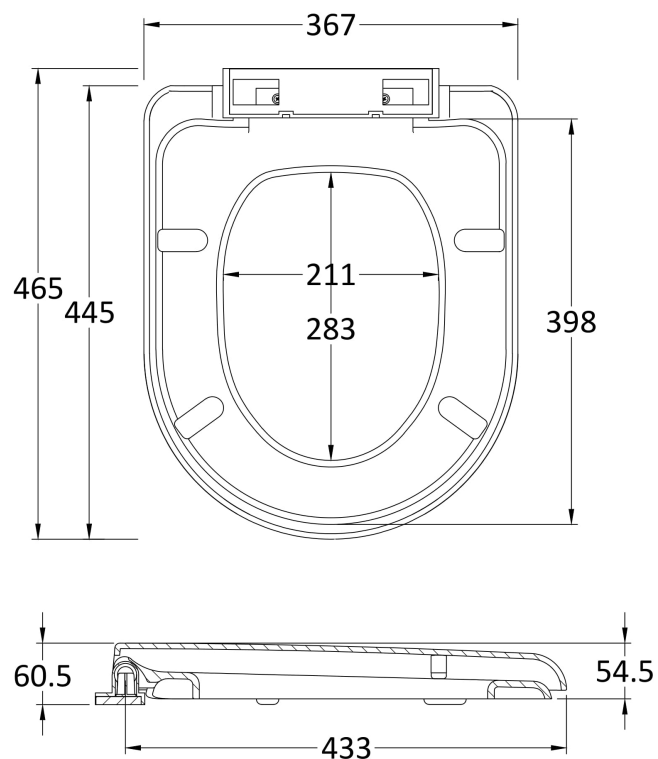
Seats: Seat Type: D-Shape Material: Not Applicable
 Function: Not Applicable Hinge Type: Top Fix
 Hinge Material: Not Applicable

Cisterns: Operating Type: Not Applicable Fittings: Not Applicable
 Lever Type: Not Applicable

Basins: Tap Hole: Not Applicable Chain Stay Hole: Not Applicable
 Template: Not Applicable Waste Type Req: Not Applicable
 Overflow Inc: Not Applicable Overflow Cover: Not Applicable
 Inner Bowl Depth (mm): N/A

Sales Code: NTS002

Description: Standard D Shape Seat, Sc, Top Fix



Product Dimensions

Length (mm):	465
Width (mm):	367
Height (mm):	61
Nett Weight (kg):	1.84

Packaging Dimensions

Length (mm):	465
Width (mm):	380
Height (mm):	55
Gross Weight (kg):	2.02

Packaging Data

Box Colour:	White Cardboard Box - Printed
Box Qty:	1
Label Size:	100 x 50
Label Colour:	Not Applicable
Label Qty:	

Outer Box Dimensions (If Applicable)

Length (mm):	580
Width (mm):	490
Height (mm):	400
Gross Weight (kg):	22
Barcode:	5060272824853

Product Details

Country of Origin:	China
Fitting Instruction:	No
CE & UKCA:	Not Applicable
Product Material:	Polypropylene
Seat Type:	D Shape
Seat Function:	Soft Close
Hinge Centres (Min):	127.5
Hinge Centres (Max):	171.5
Hinge Material:	Polypropylene
Colour/Finish:	White
Fixing Method:	Top Fix