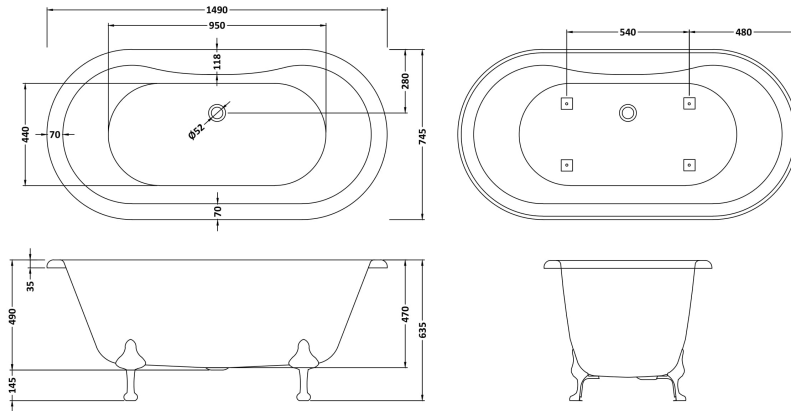


Sales Code: RL1501C2

Description: 1500 De Freestanding Bath 1490X745x650

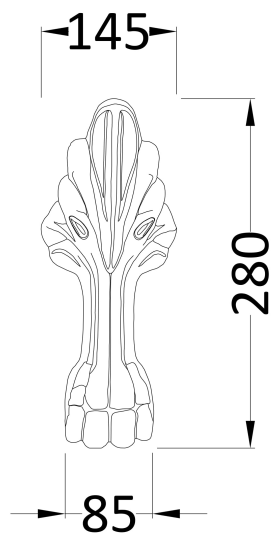
Packaging Details

Barcode: 5055275832554



Sales Code: T2C

Description: Pride F/Standing Bath Leg Set C2



Product Dimensions

| | |
|-------------------|-----|
| Length (mm): | 275 |
| Width (mm): | 140 |
| Depth (mm): | 120 |
| Nett Weight (kg): | 3.9 |

Packaging Dimensions

| | |
|--------------------|------|
| Length (mm): | 465 |
| Width (mm): | 460 |
| Depth (mm): | 225 |
| Gross Weight (kg): | 4.23 |

Packaging Data

| | |
|---------------|-------------------------|
| Box Colour: | Polystyrene Moulded Box |
| Box Qty: | 1 |
| Label Size: | 140 x 100 |
| Label Colour: | White Label |
| Label Qty: | 1 |

Outer Box Dimensions (If Applicable)

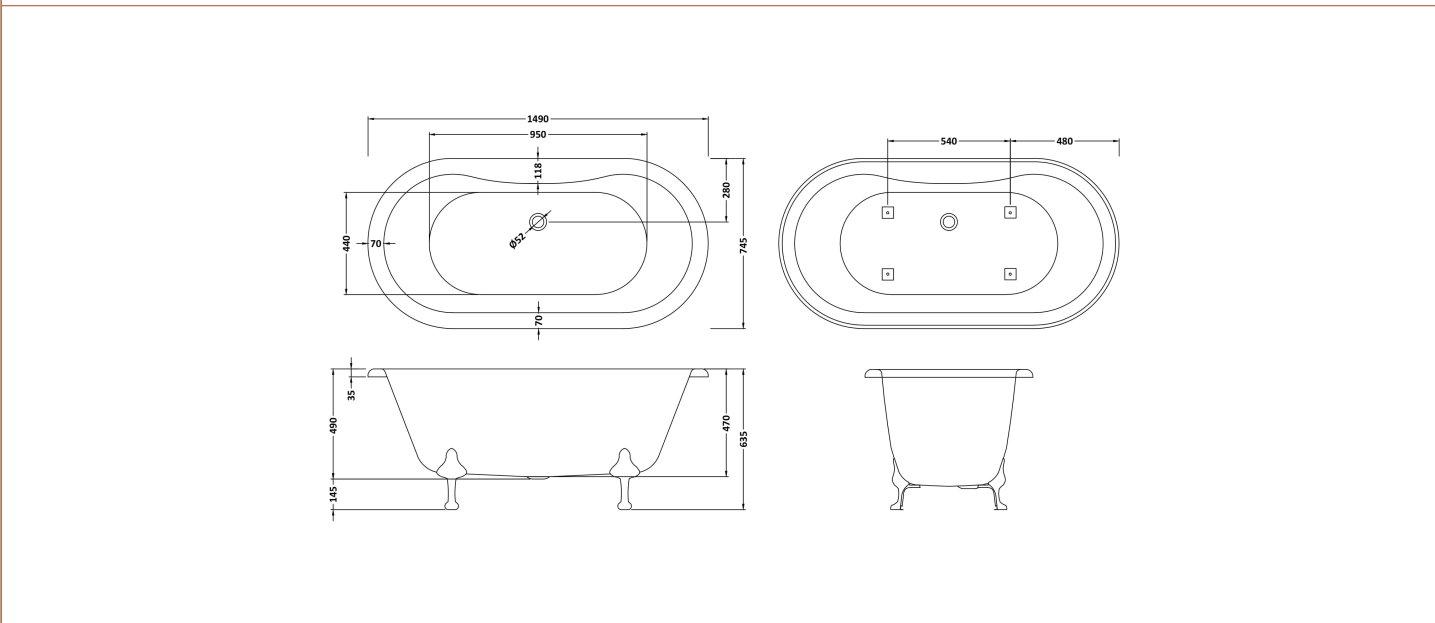
| | |
|--------------------|---------------|
| Length (mm): | |
| Width (mm): | |
| Height (mm): | |
| Gross Weight (kg): | |
| Barcode: | 5055369044801 |

Product Details

| | |
|----------------------------|-------------------------|
| Country of Origin: | China |
| Fitting Instruction: | No |
| Certification: | FSC: N/A CE & UKCA: N/A |
| Material Colour Reference: | Not Applicable |
| Product Material: | Aluminium |
| Material Thickness: | N/A |
| Volume (Ltr): | N/A |
| Displaced Capacity: | N/A |
| Leg Set Included: | Not Applicable |
| Waste Included: | Not Applicable |
| Drilled/Undrilled: | Not Applicable |
| Includes Grips: | Not Applicable |
| Embossed: | Not Applicable |
| No of Tapholes: | Not Applicable |
| Anti-Slip: | Not Applicable |

Sales Code: RL1501

Description: 1500 Double Ended Freestanding Bath



Product Dimensions

| | |
|-------------------|------|
| Length (mm): | 1490 |
| Width (mm): | 745 |
| Depth (mm): | 635 |
| Nett Weight (kg): | 45.8 |

Packaging Dimensions

| | |
|--------------------|------|
| Length (mm): | 1580 |
| Width (mm): | 790 |
| Depth (mm): | 500 |
| Gross Weight (kg): | 45.8 |

Packaging Data

| | |
|---------------|------------------------|
| Box Colour: | Brown Cardboard Sleeve |
| Box Qty: | 1 |
| Label Size: | 100 x 50 |
| Label Colour: | White Label |
| Label Qty: | 2 |

Outer Box Dimensions (If Applicable)

| | |
|--------------------|---------------|
| Length (mm): | |
| Width (mm): | |
| Height (mm): | |
| Gross Weight (kg): | |
| Barcode: | 5055369006519 |

Product Details

| | |
|----------------------------|---------------------|
| Country of Origin: | China |
| Fitting Instruction: | No |
| Certification: | FSC: CE & UKCA: |
| Material Colour Reference: | European White |
| Product Material: | Acrylic |
| Material Thickness: | 14mm |
| Volume (Ltr): | 185L |
| Displaced Capacity: | 115L |
| Leg Set Included: | Legset Not Included |
| Waste Included: | Waste Not Included |
| Drilled/Undrilled: | Undrilled For Taps |
| Includes Grips: | No Grips Supplied |
| Embossed: | No |
| No of Tapholes: | None |
| Anti-Slip: | No |