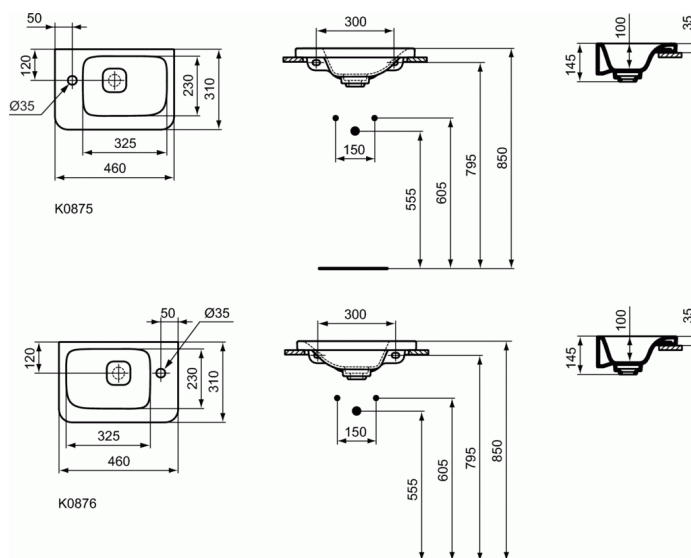


TONIC II

Guest Basin Asymmetric 46 cm with one right tap hole



Guest Basin Asymmetric 46 cm with one right tap hole

One right tap hole punched

Including:

- Standard IdealFlow N8326AA (1 pc)
- Ceramic waste cover T854601 (1 pc)

In carton box

EN 14688

For assembly with: Tonic II Furniture Basin structures or Design siphon

Recommended equipment:

- Fixation set M10 x 140 mm (WW965340)
- Design siphon G1 1/4 (in case of installation without semi-pedestal and without base cabinet) (E0079AA)
- Design stop angle valve (water connection G1/2, connection with mixer 10 mm/ G3/8) (A3491AA)

RECOMMENDED

One-hole basin mixer	A6326
Guest Basin unit 45 cm with Right door hinges	R4306
Guest Side unit	R4317
Guest Basin unit 45 cm with Left door hinges	R4318
Open Shelf (white painted) 45 cm	R4344
Handle for Guest Basin unit/structure 45 cm	R4356

FINISHES*



* 01 = Euro White

KEY FEATURES & BENEFITS

