

Thermostatic Mixing Valve (TMV) 22mm

ILLUSTRATED

A5901 TMV thermostatic mixing valve, 22mm

ILLUSTRATED PRODUCT DETAILS

Weights

A5901 0.60 KG

Finishes

A5901  Chrome (AA)

Materials

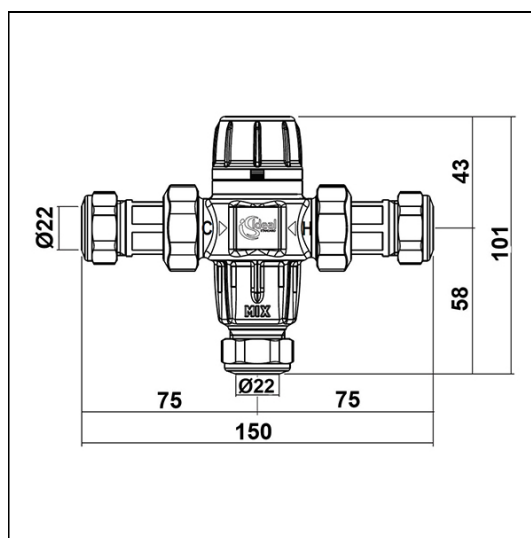
A5901 Chrome Plated Metal

Standards

TMV 3 meets the requirements of the NHS Model Engineering Specification-D08 Valves. TMV3 meets BS EN 1111 & BS EN 1287.

Special Notes

Operating pressures from 0.5 bar to 5.0 bar, 10 bar static pressure.
Recommended supply temperatures, Hot 52°C-65°C, Cold 5°C-20°C. For best results both supplies should be at equal pressures.



ACCREDITATIONS



FEATURES

