

Tesi 2 Hole Dual Control Bath Shower Mixer

ILLUSTRATED

A6591 Tesi 2 hole dual control bath shower mixer with shower set

ILLUSTRATED PRODUCT DETAILS

Weights

A6591 3.42 KG

Finishes

A6591  Chrome (AA)

Materials

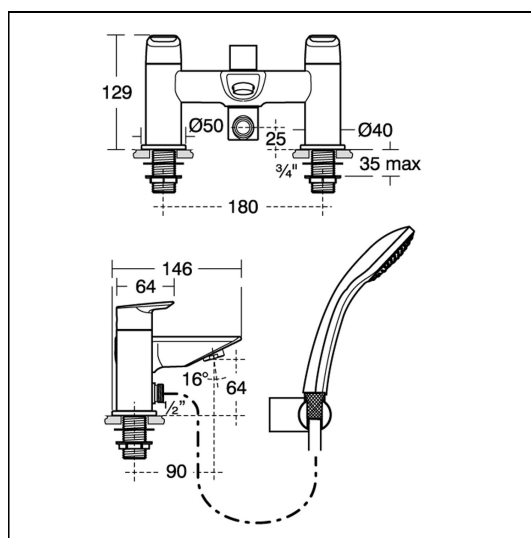
A6591 Chrome Plated Metal

Standards

BS EN200

Special Notes

Unregulated flow rate 21 litres per minute at 0.2 bar and 31 litres per minute at 1 bar. Consideration should be given to safe hot water delivery and the use of an appropriate temperature reduction device, please see A5900AA (for use with 15mm pipework) or A5901AA (for use with 22mm pipework).



ACCREDITATIONS



1609037