

# Concept Blue Small Washasin Mixer 1 Hole With Pop-up Waste

## ILLUSTRATED

**B0671** Concept Blue small washbasin mixer 1 hole with pop-up waste

### ILLUSTRATED PRODUCT DETAILS

**Weights**

**B0671** 1.50 KG

**Materials**

**B0671** Chrome Plated Brass

**Finishes**

**B0671**  Chrome (AA)

**Flow rates**

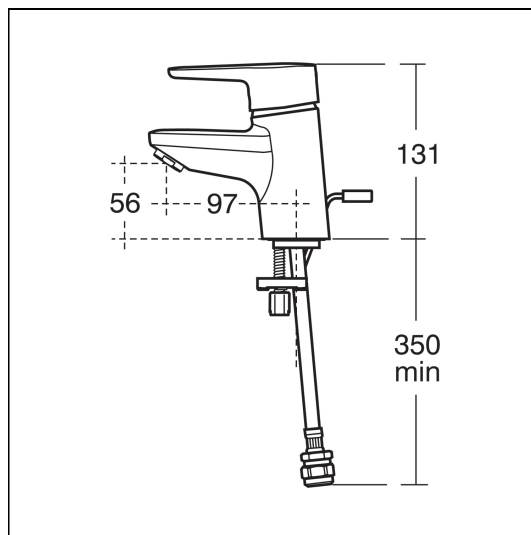
**B0671** 5 Litres per minute @ 3 bar pressure

**Designer**

Robin Levien, RDI

**Special Notes**

Suitable for balanced supplies. Inlets with flexible hoses and connections for 15mm copper tails. Fitted with a 5 lpm outlet flow regulator. When installed in commercial applications, A5900AA a 15mm thermostatic blending valve must be used. Flow rate with fitted regulator 5 litres per minute. Unregulated flow rate 4.7 litres per minute at 0.2 bar.



### ACCREDITATIONS

**B0671(AA)**

Unified Water Label  5.00 Litres Per Minute



17025014