

Concept 1 Hole Kitchen Mixer, Tubular Spout

ILLUSTRATED

B9993 Concept 1 hole kitchen mixer, tubular spout

ILLUSTRATED PRODUCT DETAILS

Weights

B9993 2.70 KG

Finishes

B9993  Chrome (AA)

Materials

B9993 Chrome Plated Brass

Flow rates

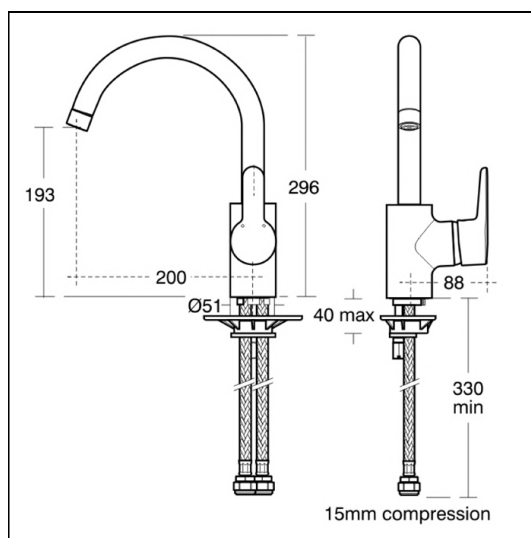
B9993 4.7 Litres per minute @ 3 bar pressure

Designer

Robin Levien, RDI

Special Notes

Flow rate with fitted regulator 5 litres per minute.
Unregulated flow rate 5.4 litres per minute at 0.3 bar.



ACCREDITATIONS

B9993(AA)

Unified
Water Label



4.70

Litres
Per
Minute