

Tesi Single Lever Basin Mixer, No Waste

ILLUSTRATED

A6587 Tesi single lever basin mixer with 5 litre per minute eco flow regulator, no waste

OPTIONS

A5900 TMV thermostatic mixing valve, 15mm

ILLUSTRATED PRODUCT DETAILS

Weights

A6587 1.44 KG

Finishes

A6587  Chrome (AA)

Materials

A6587 Chrome Plated Metal

Flow rates

A6587 5 Litres per minute @ 3 bar pressure

Designer

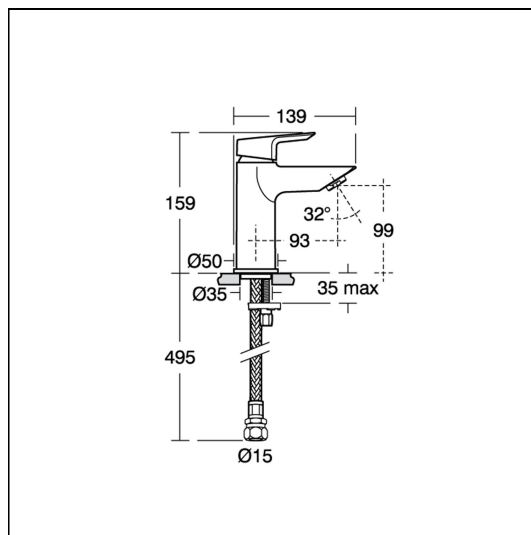
Artefakt Industriekultur

Standards

BS EN817

Special Notes

Suitable for balanced supplies. Inlets with flexible hoses and 15mm compression connections. Factory fitted 5 litre per minute flow regulator. Unregulated flow rate 4.3 litres per minute at 0.3 Bar. Consideration should be given to safe hot water delivery and the use of an appropriate temperature reduction device, please see A5900AA (for use with 15mm pipework) or A5901AA (for use with 22mm pipework).



ACCREDITATIONS



1610050

FEATURES

