

# Concept 170cm x 90cm Shower Bath, LH No Taphole

## ILLUSTRATED

- E7316** Concept 170cm x 90cm shower bath with no tapholes, left hand
- E7317** Concept 170cm shower front bath panel
- E3169** Unilux 70cm end panel
- E7407** Concept shower bath screen, clear glass and silver finish
- A5901** TMV thermostatic mixing valve, 22mm

## OPTIONS

- A6590** Tesi 2 hole dual control bath filler

## ILLUSTRATED PRODUCT DETAILS






### Weights

- E7316** 24.15 KG
- E7317** 3.50 KG
- E3169** 2.58 KG
- E7407** 25.00 KG
- A5901** 0.60 KG

### Materials

- E7316** Idealform
- E7317** High Impact Polystyrene
- E3169** High Impact Polystyrene
- E7407** Toughened Safety Glass
- A5901** Chrome Plated Metal

### Finishes

- E7316**  White (01)
- E7317**  White (01)
- E3169**  White (01)
- E7407**  Polished Silver finish (AA)
- A5901**  Chrome (AA)

### Capacity

- E7316** 232.0 litres (to overflow)

### Designer

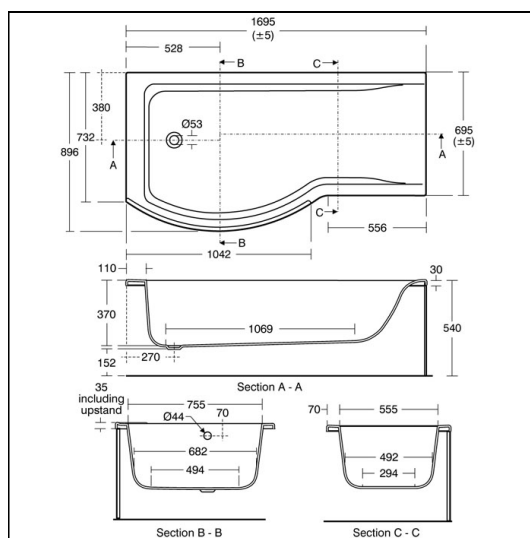
Robin Levien, RDI

### Standards

Constructed to EN 198:2008. EN 14516

### Special Notes

Consideration should be given to safe hot water delivery and the use of an appropriate temperature reduction device, see A5901AA or Part G for guidance. One taphole fittings require offsetting from the overflow. Check positioning and compatibility before specifying. Dedicated front panel and bath screen are unhandled.



## ACCREDITATIONS

**E7316(01)**



## FEATURES

