

# Tesi Close Coupled Back-to-Wall Toilet

## ILLUSTRATED

- T3557** Tesi close coupled back-to-wall toilet bowl with horizontal outlet, isolation access and Aquablade flush technology
- T3569** Tesi close coupled delay fill 4/2.6 litre cistern, dual flush valve, bottom supply and internal overflow
- T3527** Tesi toilet seat and cover, slim with quick release, slow close

## OPTIONS

- T3570** Tesi close coupled 6/4 litre cistern, dual flush valve, bottom supply and internal overflow
- T3528** Tesi toilet seat and cover, slim
- S4300** Panekta outlet connector to convert horizontal outlet wcs to S or turned P trap
- S4305** Panekta outlet connector to convert horizontal outlet wcs to P trap

## ILLUSTRATED PRODUCT DETAILS

### Weights

- T3557** 29.20 KG
- T3569** 11.00 KG
- T3527** 2.20 KG

### Materials

- T3557** Vitreous China
- T3569** Vitreous China
- T3527** Plastic

### Finishes

- T3557**  White (01)
- T3569**  White (01)
- T3527**  White (01)

### Capacity

- T3569** 4.0 litres

### Designer

Robin Levien, RDI

## FINISH OPTIONS

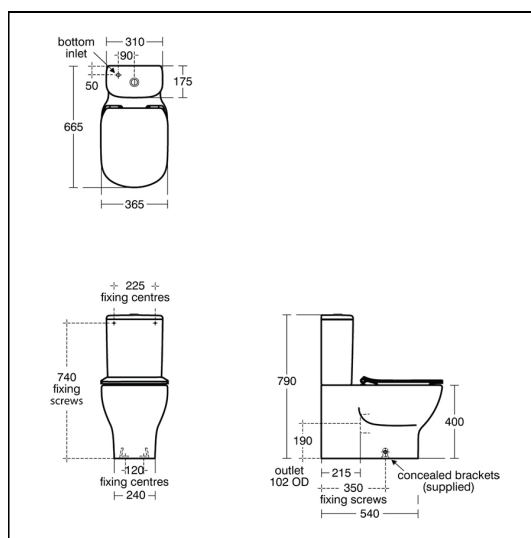


### Standards

WC bowl to BS EN 997 & BS EN 33

### Special Notes

WC screwed to floor using concealed brackets (supplied) and cistern screwed to wall



## ACCREDITATIONS



1711710  
Flush Valve

## FEATURES

