

# Sandringham Dorex Washbasin, 35cm 2 Taphole

## ILLUSTRATED

- S2708** Sandringham/Dorex 35cm handrinse washbasin, 2 tapholes, chainstay hole and overflow
- S9110** Hangers concealed, Steel
- B9881** Sandringham 21 washbasin pillar taps, lever handles
- S8800** Waste 1½" plastic waste with bead chain and plug, 80mm slotted tail, bolt stay
- S8900** Trap 1½" metal bottle, 75mm seal, outlet screwed 1½" BSP male with compression nut and ring

## OPTIONS

- A5900** TMV thermostatic mixing valve, 15mm
- S8920** Trap 1½" plastic resealing bottle, 75mm seal, multi-purpose outlet
- S8910** Trap 1½" plastic bottle, 75mm seal, multi-purpose outlet



## ILLUSTRATED PRODUCT DETAILS

### Sizes

**S2708** w:35 x d:26

### Weights

**S2708** 5.48 KG

**S9110** 0.24 KG

**B9881** 1.10 KG

**S8800** 0.08 KG

**S8900** 0.54 KG

### Materials

**S2708** Vitreous China


**S9110** Metal

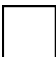
**B9881** Chrome Plated Brass

**S8800** Chrome Plated Plastic

**S8900** Chrome Plated Metal

### Finishes

**S2708**  White (01)

**S9110**  Neutral / No Finish (67)

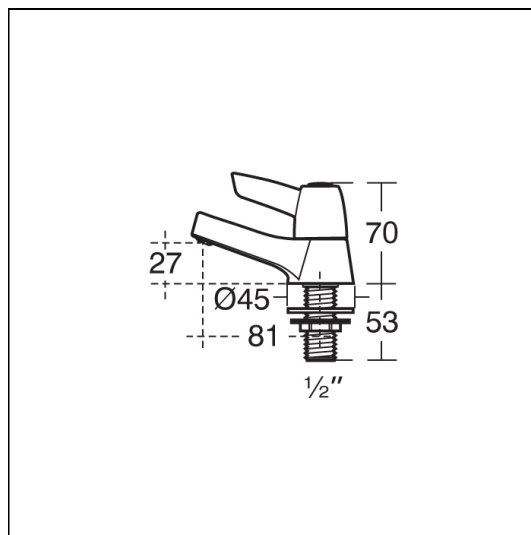
**B9881**  Chrome (AA)

**S8800**  Chrome (AA)

**S8900**  Chrome (AA)

### Flow rates

**B9881** 8 Litres per minute @ 3 bar pressure



## FINISH OPTIONS

(SW) Honeymoon



(20) Chablis

### Standards

Vitreous china to BS 3402. Washbasin to BS EN 14688 & BS EN 31

### Special Notes

Washbasin wall mounted using S9110 wall hangers and screwed to wall using 2 screws (not supplied).