

# ProSys 150 depth WC cistern, mechanical

## ILLUSTRATED

- R0142** ProSys 150 depth wc cistern, mechanical front or top actuation
- R0115** Oleas M1 mechanical dual flushplate Ideal Standard - chrome

## OPTIONS



- R0121** Oleas M2 mechanical dual flushplate Ideal Standard - white
- S0767** Oleas M2 mechanical dual flushplate Armitage Shanks - white
- R0123** Oleas M3 mechanical dual flushplate Ideal Standard - white
- S0858** Septa Pro M1 mechanical metal dual flushplate Armitage Shanks
- S0859** Septa Pro M2 mechanical metal single flushplate Armitage Shanks
- R0176** Prosys conversion kit (front to top actuation) for mechanical 150 depth frames & cisterns (for when using Oleas flushplates)

## ILLUSTRATED PRODUCT DETAILS

### Weights

- R0142** 2.96 KG
- R0115** 0.34 KG

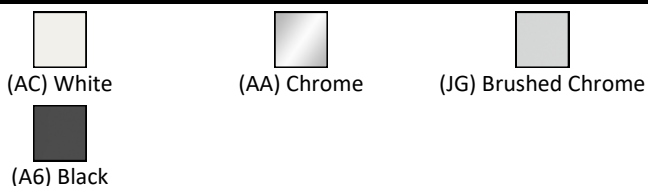
### Finishes

- R0142**  Neutral / No Finish (67)
- R0115**  White (AC)

### Materials

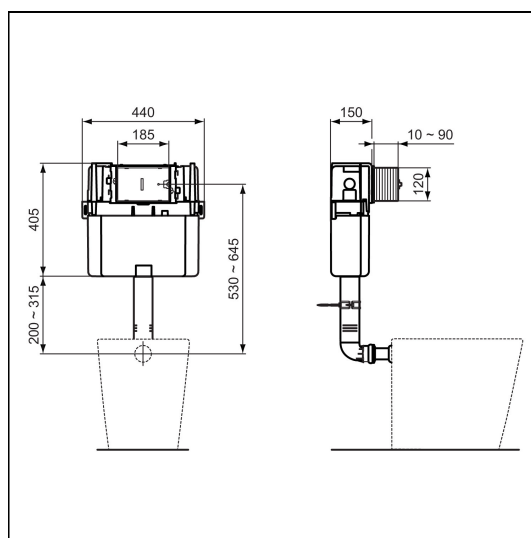
- R0142** Mixed Material
- R0115** Mixed Material

## FINISH OPTIONS



### Special Notes

Suitable for use with Back-to wall WC bowls – Please check DOP for flushing capability with specific bowls. For use with Oleas and Septa Pro mechanical flushplates. Not suitable for electronic actuation flushplates. Front or top actuation. Where top actuation is required with Oleas flushplates please use R017667 front to top conversion kit. Minimum height to top of cistern 860mm depending on bowl type.



## ACCREDITATIONS



## FEATURES

