



Linear Dec Four Way Fall - Technical Data

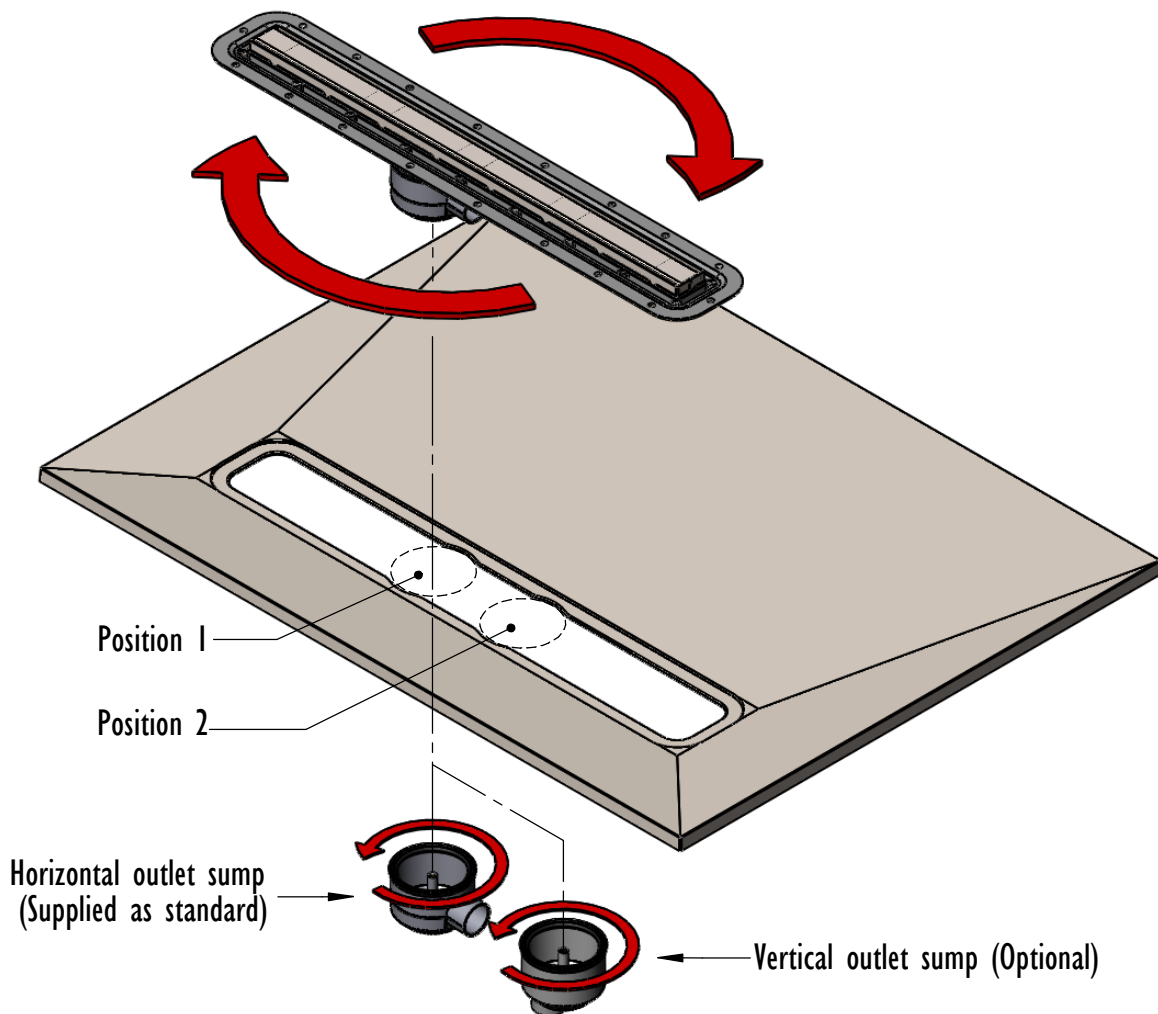
Thickness	All 22mm in height		
Handing	Universal (not handed)		
Sizes Available	1200 x 900 AD4LI290	1000 x 1000 AD4LI010	1200 x 1200 AD4LI212
Waste outlet position	Off centre by 83mm - see drawings, 220mm from back edge		
Trap Size	Impey Universal Drain System - 50mm water seal		
Waste options	Horizontal 43mm outlet, Vertical 43mm or 110mm outlet		
Features	Creates reliable and consistent gradient for wet floor showers. Easy installation, no special skills required. Fully removable trap for easy cleaning. Height adjustable tiling frame - catering for different thickness tiles. Drain outlet position is adjustable to avoid joists or other obstructions.		
Construction	Multi Layer GRP with solid core and durable Polyester Gel outer surface		
Installation	Only suitable for tiled floor finishes. Must be fully supported on the underside by minimum 18mm thickness plywood. Must be installed with a suitable waterproofing floor membrane (Impey Waterguard recommended)		
Supplied with	Linear Drain (600mm or 800mm depending on Dec size). Fixing screws and full installation guide. (Drain available in a choice of finishes)		
Flow rates	Approximately 40 l/min. Test conducted on 400mm drain with 10mm tile thickness (tested in accordance with BS 274-1 and 2:2002).		
Weight (approx.)	AD4LI290 20kg	AD4LI010 21.5kg	AD4LI212 27.5kg

Impey Showers Ltd reserves the right to change the design of specification without prior notice. All values are approximate.
Impey Showers Ltd, info@impeyshowers.com t.01460 260080 f.01460 259800 www.impeyshowers.com

Features & Options

Position options

The drain channel can be rotated 180° to offer two options for the waste position.



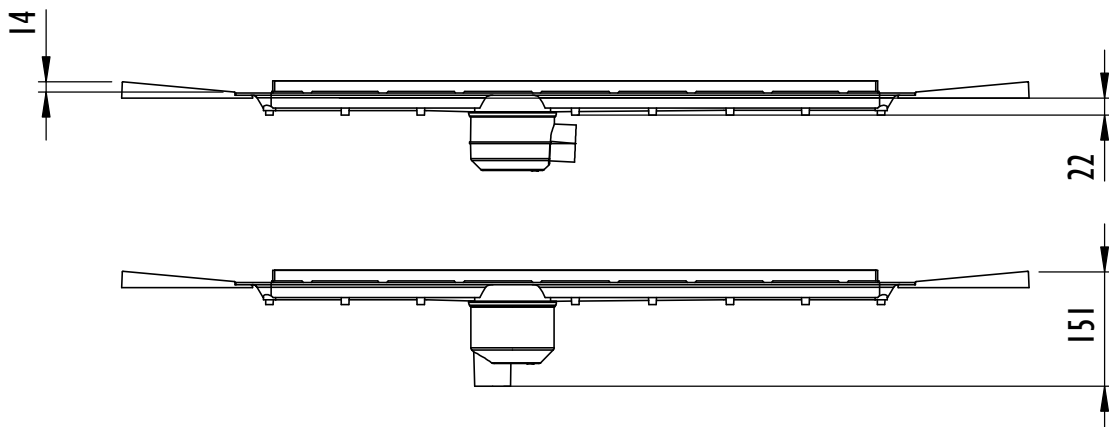
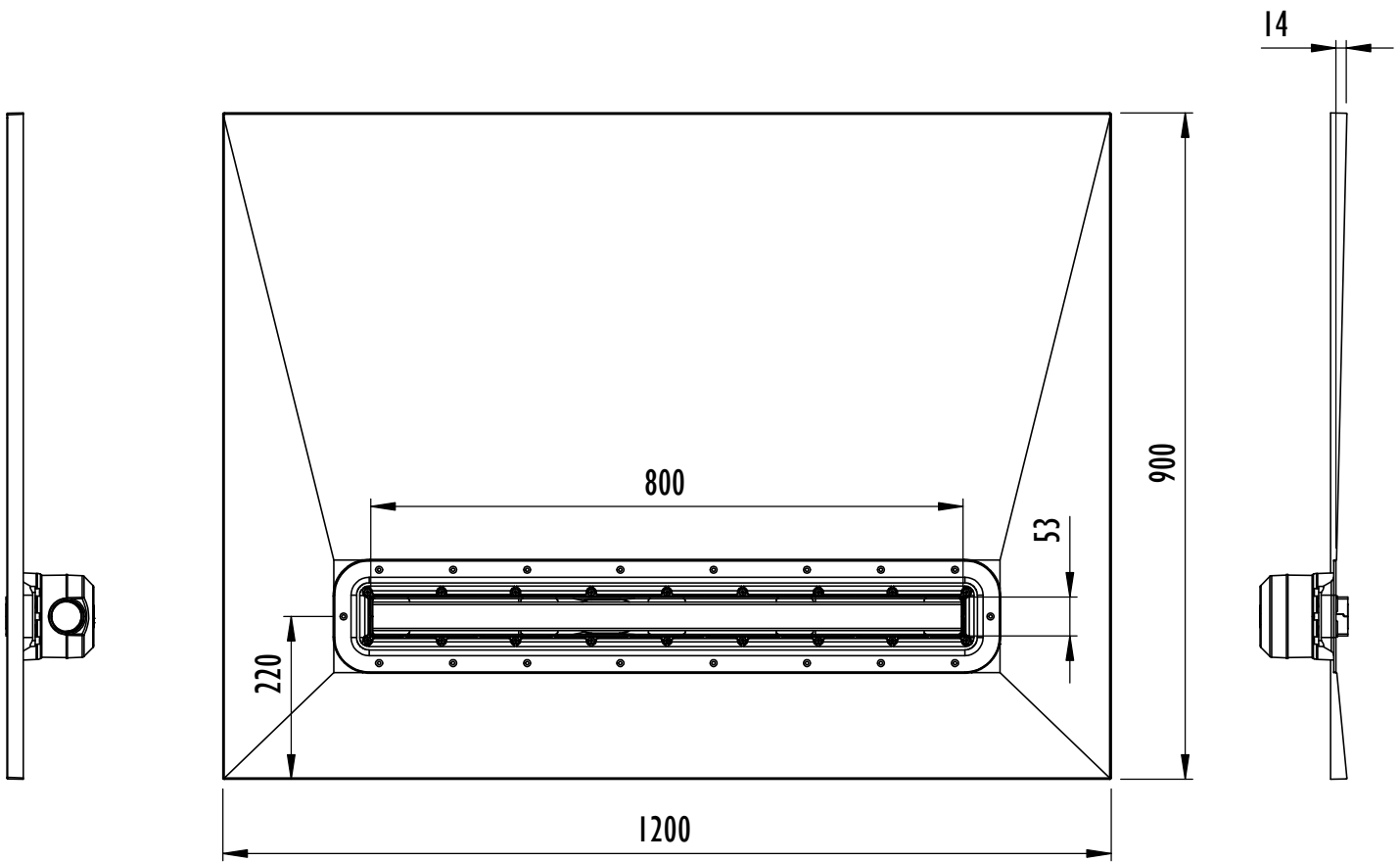
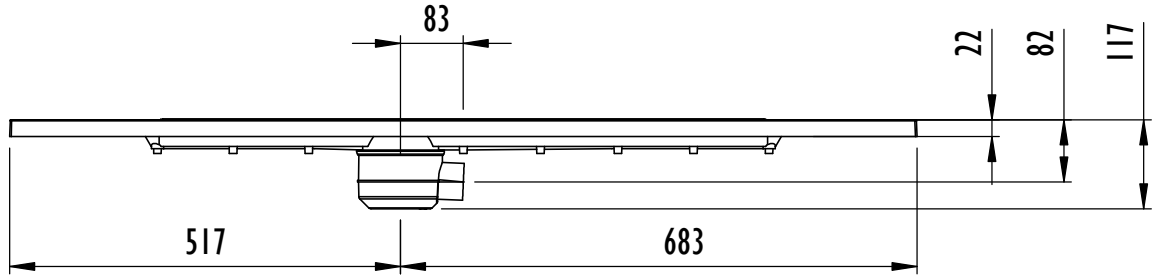
Outlet options

Two outlets are available, horizontal or vertical. Both are fully rotatable to offer 360° waste positioning. The Vertical outlet is 27mm off centre to assist with alignment to existing pipework.

The Vertical outlet can also be pushed into a 110mm soil pipe socket.

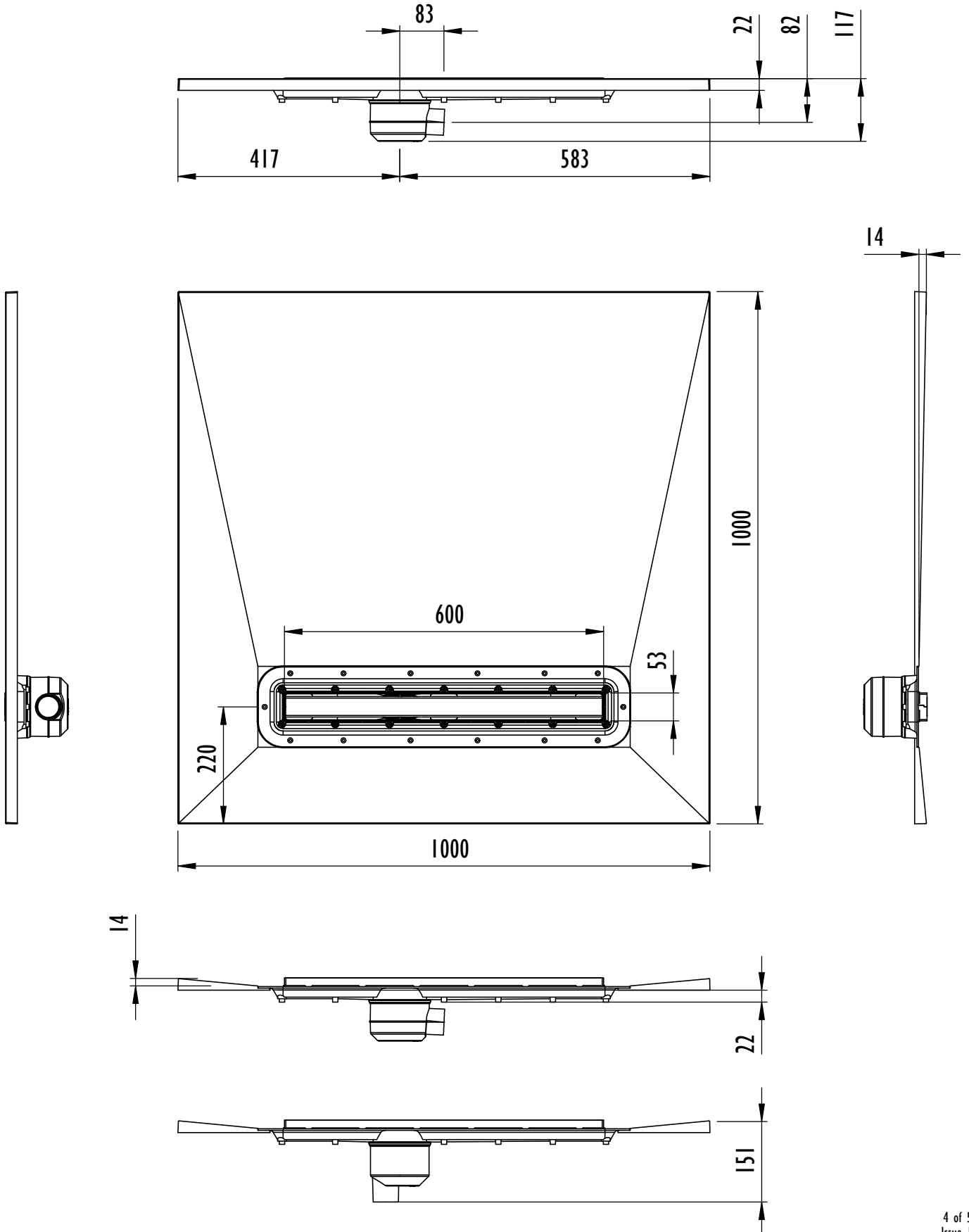
impey

LNR 4WF 1200X900



impey

LNR 4WF 1000X1000



impey

LNR 4WF 1200X1200

