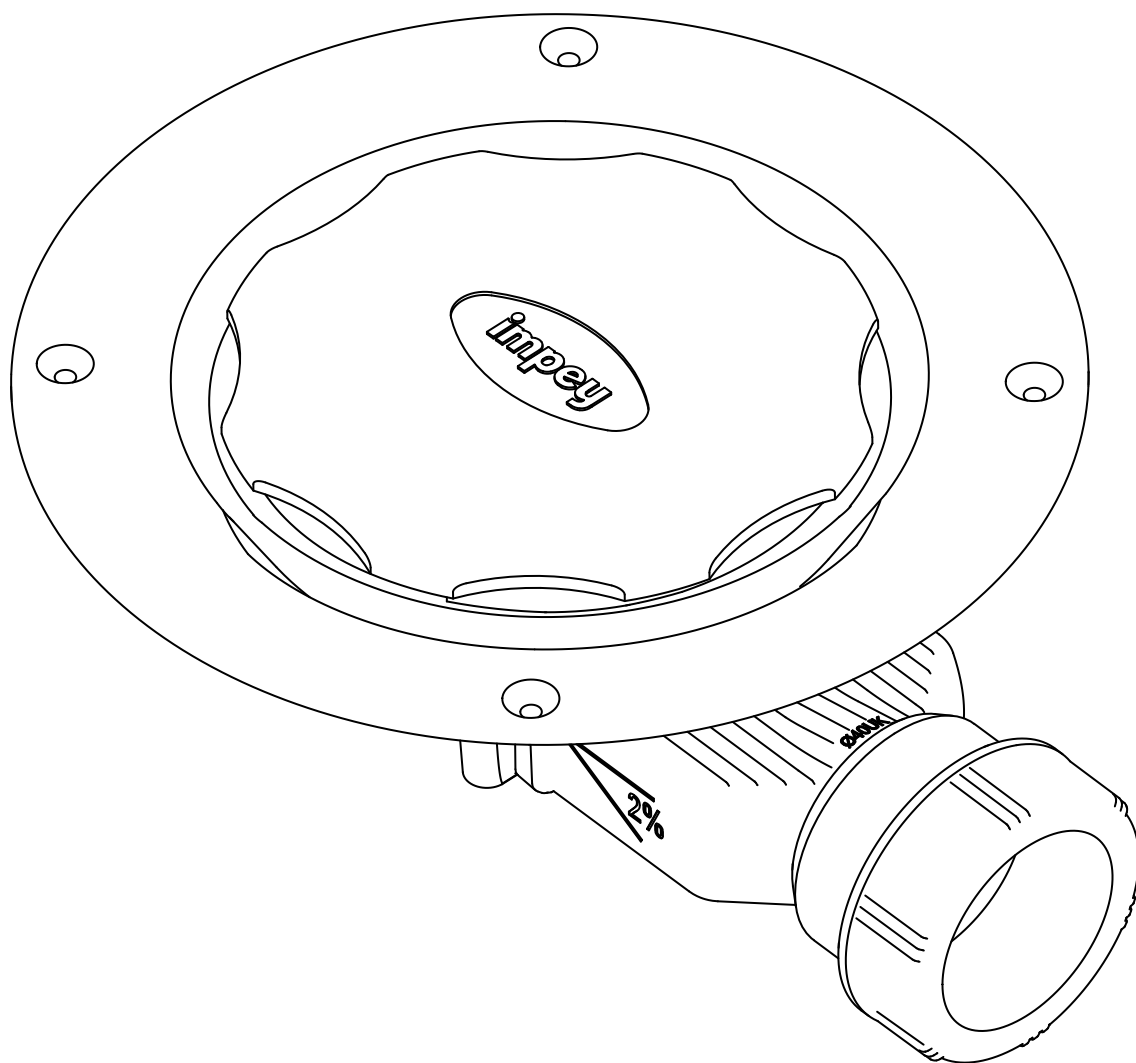


TECHNICAL DATA SHEET

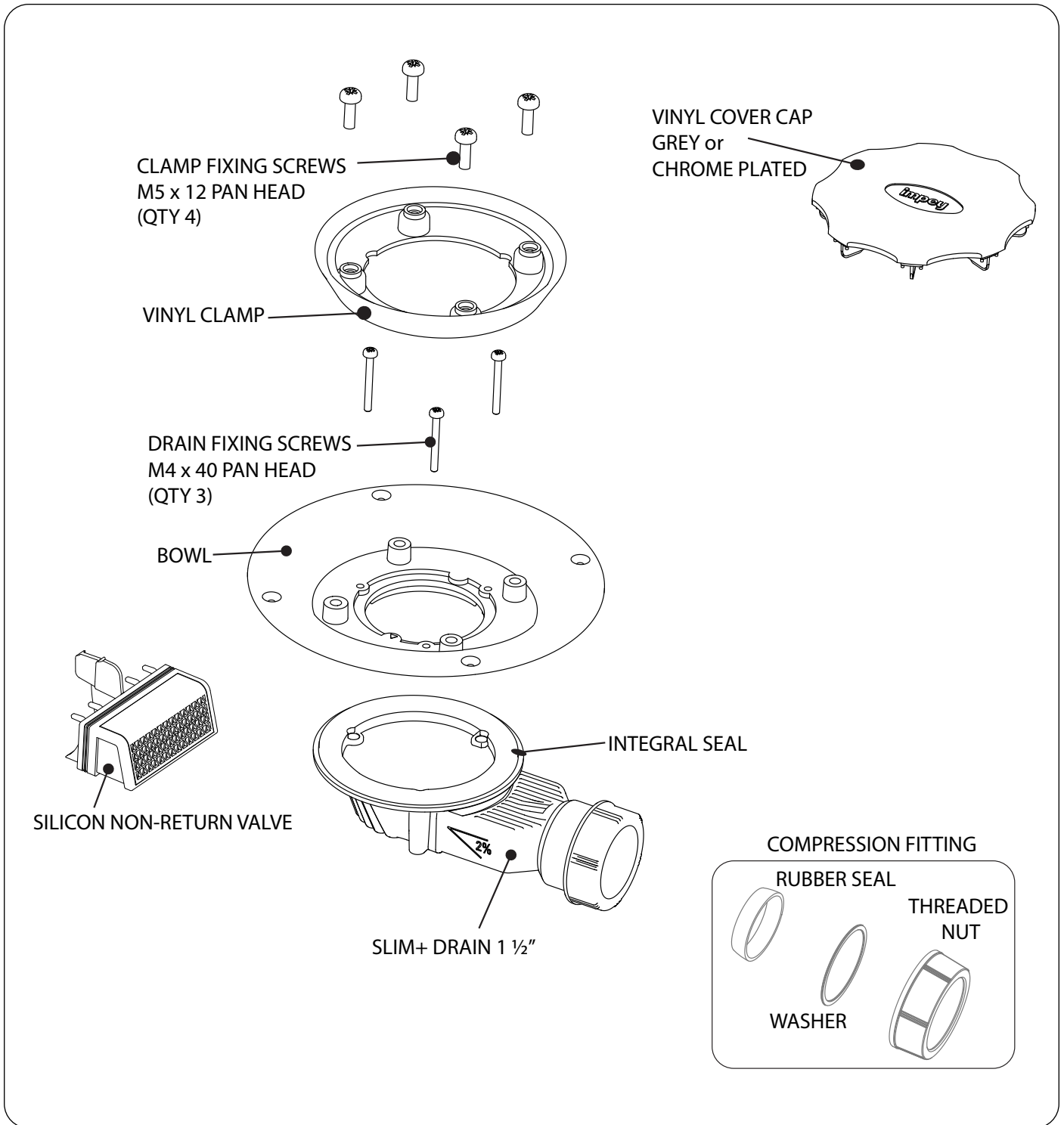
SLIM+ VINYL DRAIN



SLIM+ DRAIN FEATURES

Overview:

The Slim+ drain is the ideal solution for shallow floors which require gravity drainage. The drain features a fully waterless trap and has been specifically designed to secure the vinyl into place using the vinyl clamp. The combined use of the vinyl clamp and a non-soluble floor adhesive, help achieve a watertight seal at the drainage point. The Slim+ drain is available with a grey or chrome plated cap.

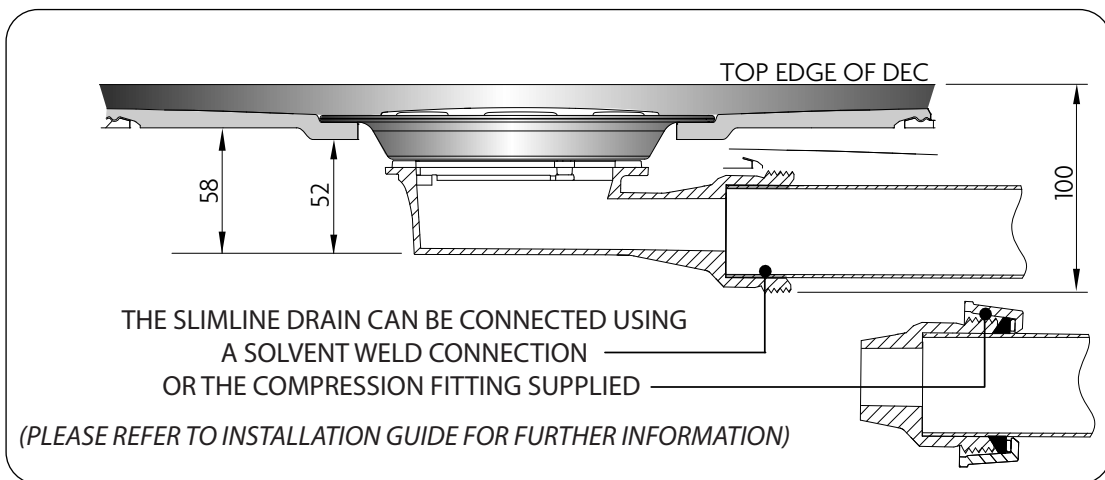
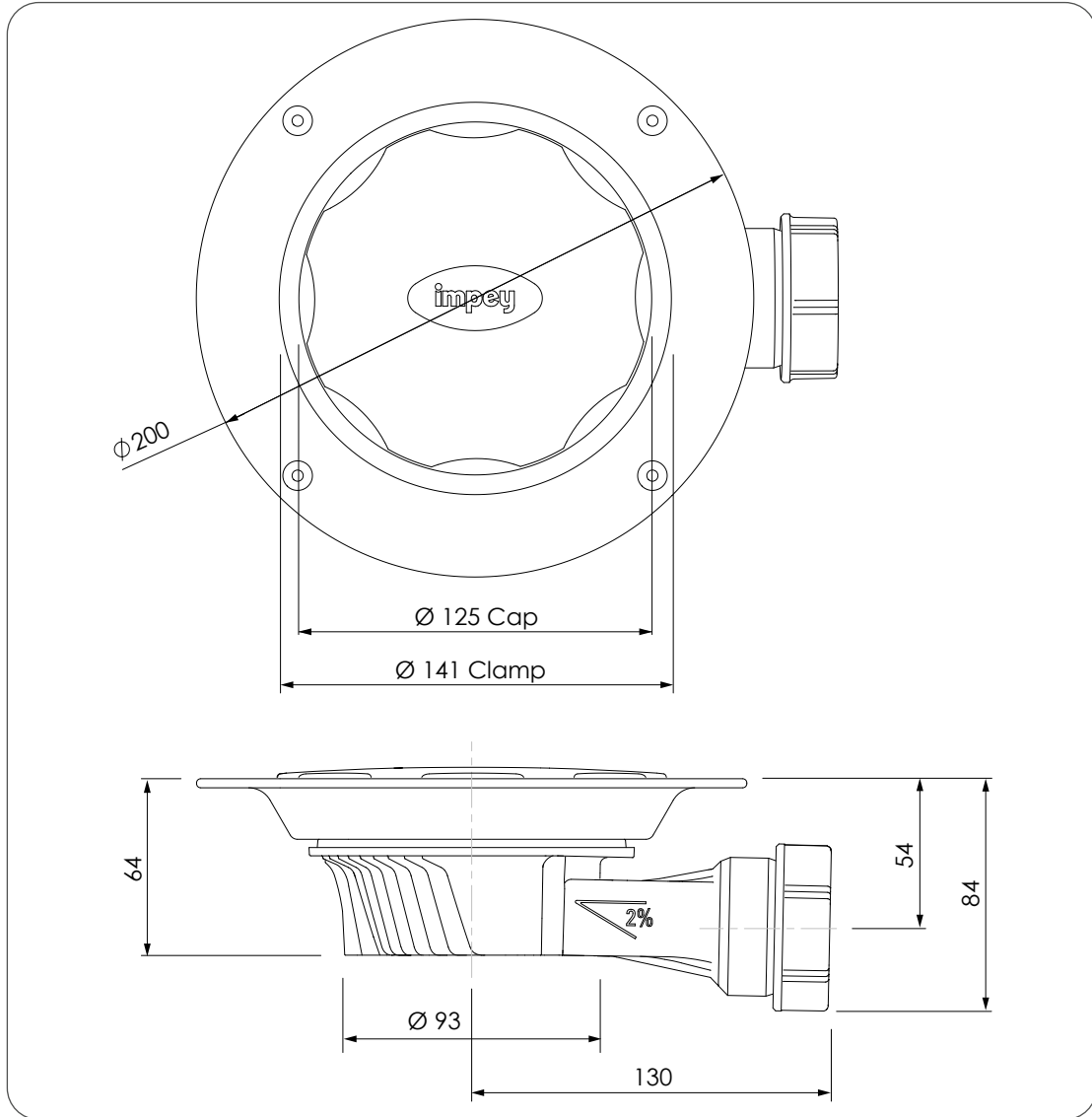


SLIM+ DRAIN FEATURES

FEATURES	SLIMLINE DRAIN
Horizontal outlet; Ø40mm solvent weld and/or compression	✓
Horizontal outlet; Ø50mm solvent weld or push fit <i>(threaded section must be removed)</i>	✓
Removable silicone non-return valve	✓
Easy to maintain & clean (top access)	✓
Vinyl Clamp	✓
Anti Back-Siphoning system	✓
Waterless Trap	✓

SLIM+ DIMENSIONS

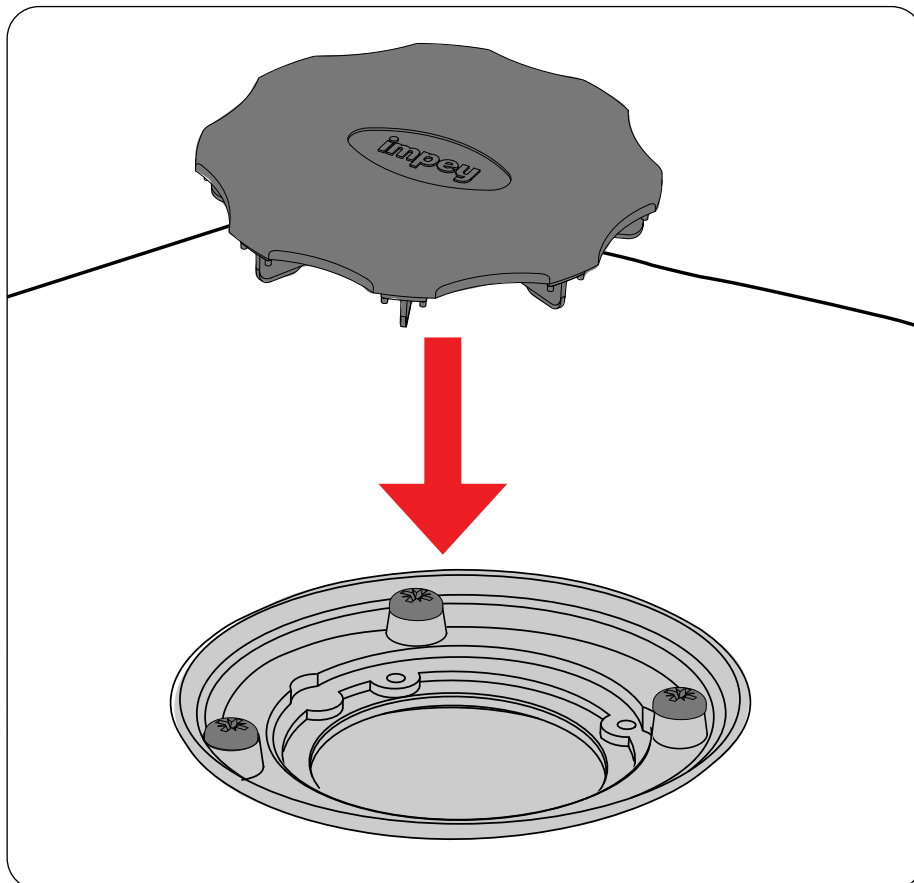
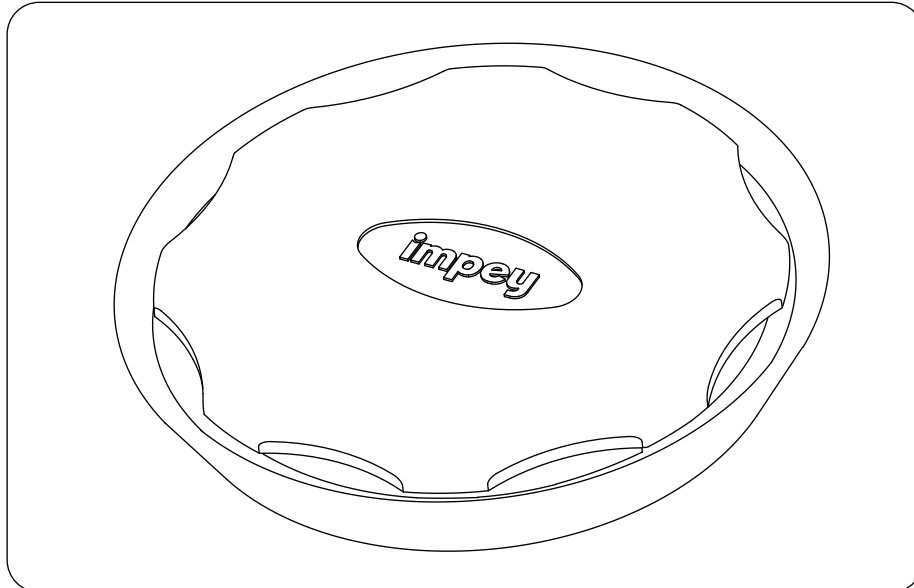
SLIM+ DIMENSIONS & INSTALLING



SLIM+ TOP OPTIONS

DRAIN TOP OPTIONS & INSTALLING

The vinyl drain cap and clamp are available in a Grey and Chrome plated finish.



impey

SLIM+ DRAIN PRODUCT CODES & FLOW RATES

PRODUCT CODES

DRAIN PRODUCT CODE	DESCRIPTION
SLW2VG/H	VINYL DRAIN SLIM+ HORIZONTAL - GREY
SLW2VCP/H	VINYL DRAIN SLIM+ HORIZONTAL - CHROME PLATED

SPARE PARTS

SPARE PRODUCT CODE	DESCRIPTION
CCK450	DRAIN SUMP
CCK451	DRAIN BOWL, VINYL CLAMP & GREY COVER CAP
CCK455	DRAIN BOWL, VINYL CLAMP & CHROME COVER CAP
CCK430B	SILICONE NON-RETURN VALVE

FLOW RATES

HEAD OF WATER	L/min
15mm head of water	32

01460 256080

www.impeyshowers.com

technical.support@impeyshowers.com

Impey, Conquest Business Park,
Cad Road, Ilton, Somerset, TA19 9EA

impey