

SAFETY

- ❖ Please read this installation instructions carefully before proceeding.
- ❖ Keep guide for future reference.
- ❖ If you are unsure about any part of the installation, please contact our Technical Department on: 01460 258682.
- ❖ Incorrect installation will invalidate the guarantee.
- ❖ Please note: we recommend a flow rate no greater than 36L/min for use with this product. Ensure your shower unit does not exceed this*.
- ❖ Make sure there are no hidden pipes or cables in the floor or walls where you intend to drill.
- ❖ Wear safety goggles, shoes and appropriate clothing.
- ❖ This product can be installed on wooden or concrete floors.

**Flow rates stated are maximum and are subject to variation depending on site conditions and tray size. Site conditions include the type, position and number of shower sprays. All products must be installed strictly to manufacturers instructions and may be subject to change without prior notice. Please contact our technical department for further information.*

Bath Replacement Shower Tray Installation Guide Component Content List

(optional)



IMOR/P 90mm
(22mm outlet)
waste trap

(optional)



SLW/TTI 90mm
(43mm outlet)
waste trap

(supplied as standard)



IMOR/H 90mm
horizontal
(43mm outlet)
waste trap

(optional)

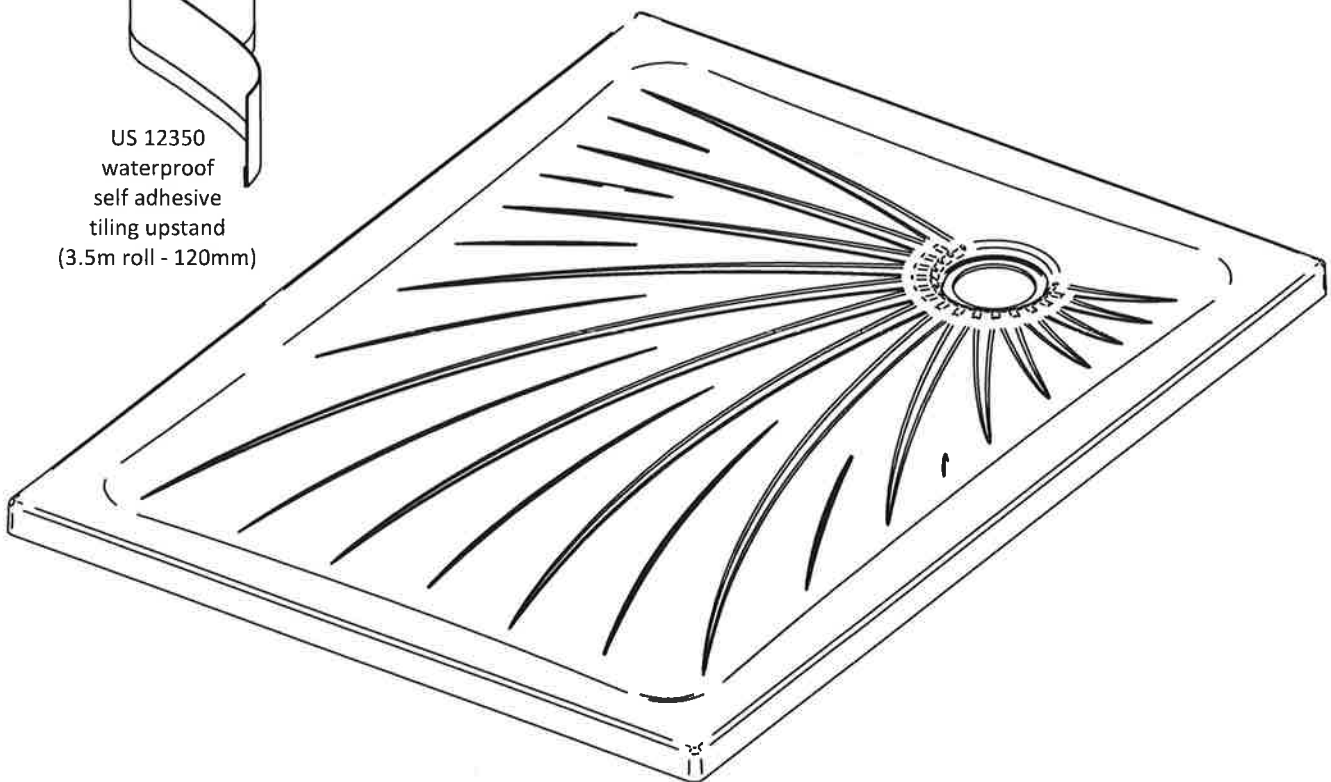


IMOR/V 90mm
Vertical
(50mm outlet)
waste trap

(supplied as standard)



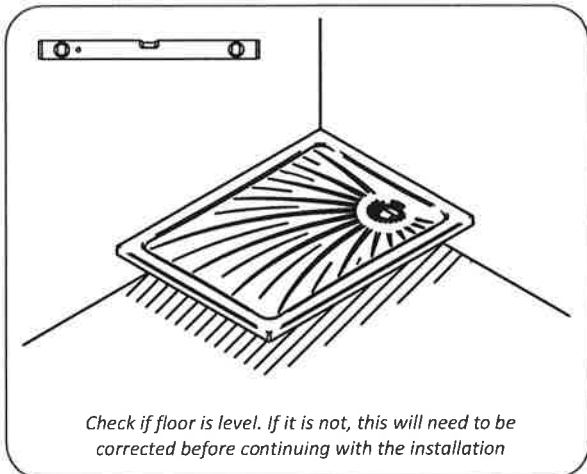
US 12350
waterproof
self adhesive
tiling upstand
(3.5m roll - 120mm)



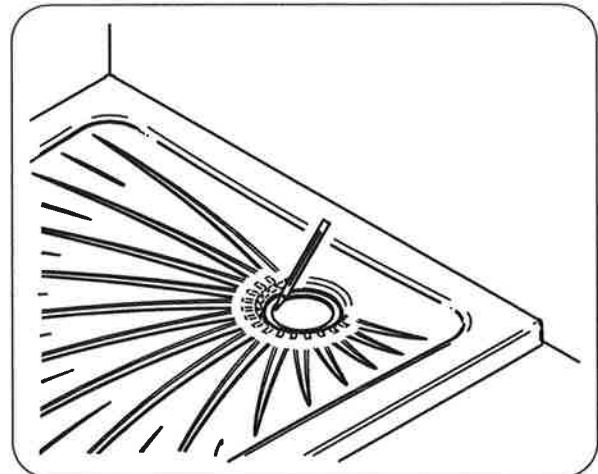
Equipment needed:

Spirit level, pencil, silicone sealant, tape measure, knife, hammer, chisel, bolster, handsaw, hacksaw, 43mm waste pipe and fittings, trowel, power drill, selection of drill bits, selection of screws and nails.

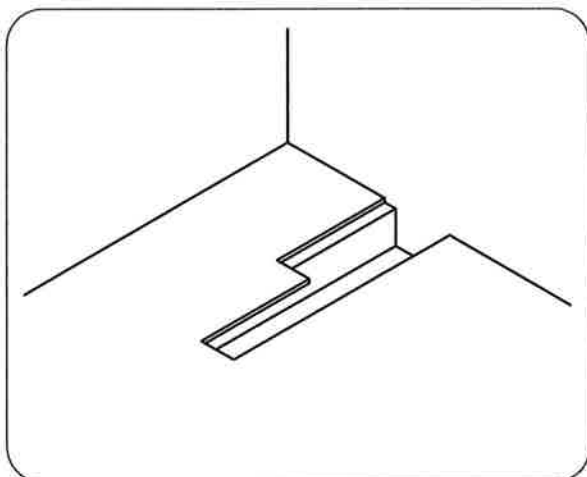
Bath Replacement Shower Tray Installation Guide for wooden floors



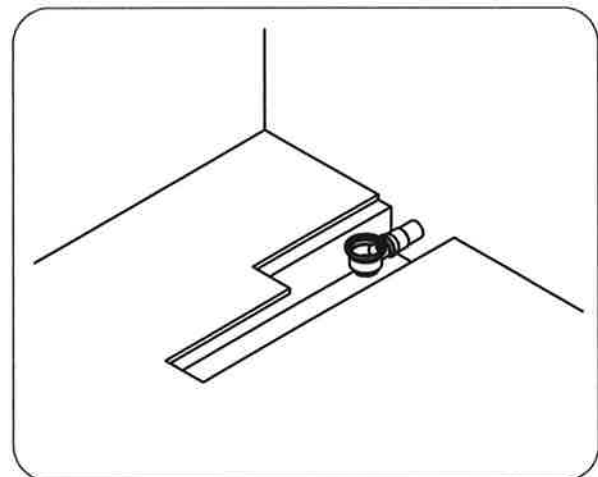
- 1** Determine which corner the tray is to be fitted into. This will establish which edges the fabric tile upstand will be attached to.



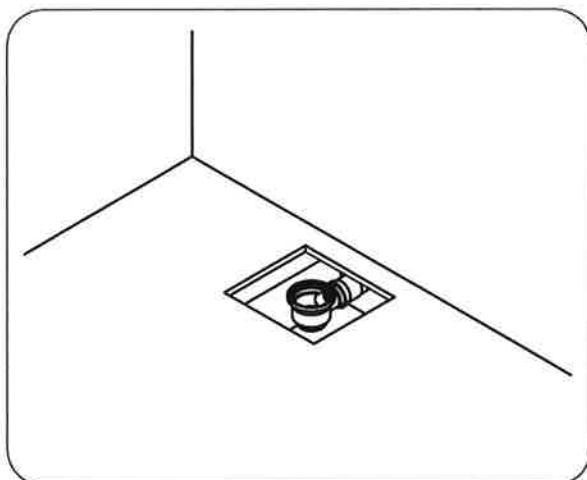
- 2** Place the tray in the desired location and mark position of shower trap. Then remove the tray. **Measure from outer edges of the tray to the centre of the drain . Use these dimensions to position the centre of the trap.**



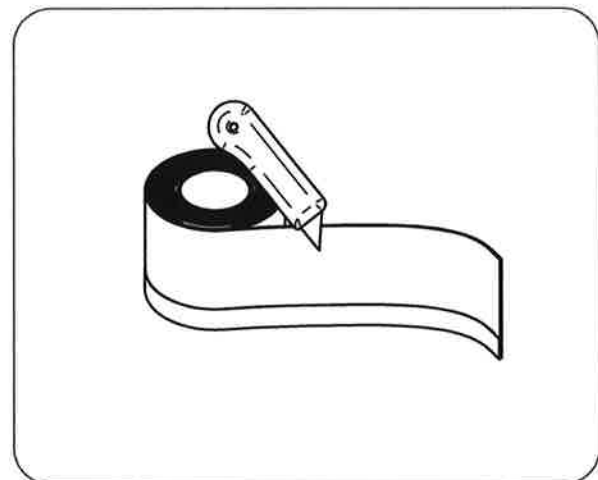
- 3** Using suitable saw, remove enough floor boards to receive the shower trap and any drainage pipework. **Use extreme care whilst cutting the floor as there may be hidden pipes and cables.**



- 4** Position the trap centre in previously measured location (**stage 2**), then connect it to the waste pipe as shown. Remove internal parts of the trap and place to one side, as they will be required later.

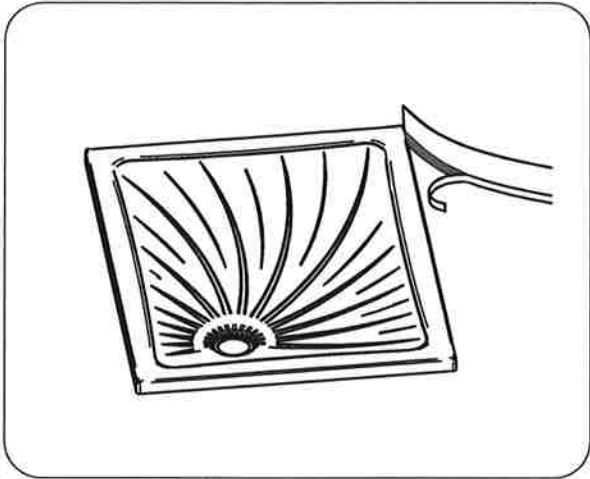


- 5** Replace floor boards and cut around the trap.

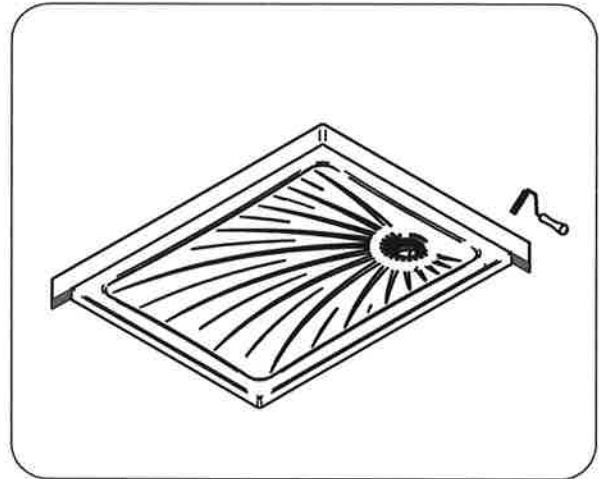


- 6** Cut required length of the fabric tile upstand.

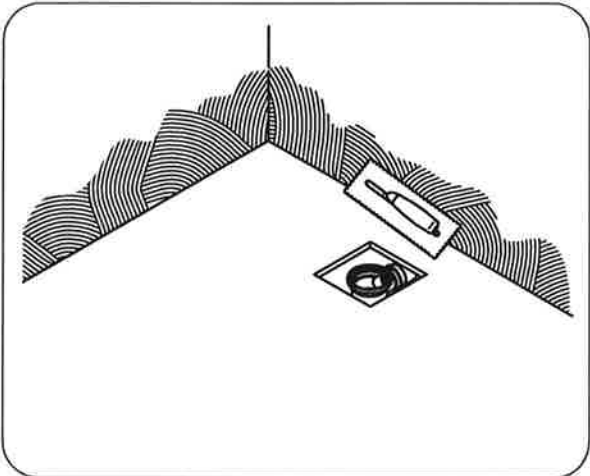
Bath Replacement Shower Tray Installation Guide for wooden floors



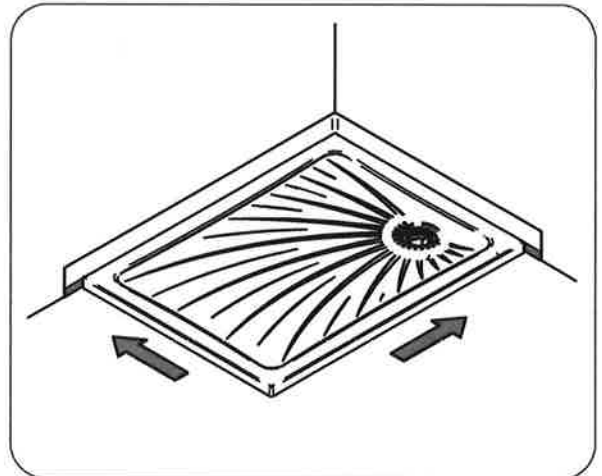
7 Remove first 10cm of release paper in one smooth action, then continue removing the paper while carefully applying tape with other hand until required edge is covered.
Do not stretch as you apply.



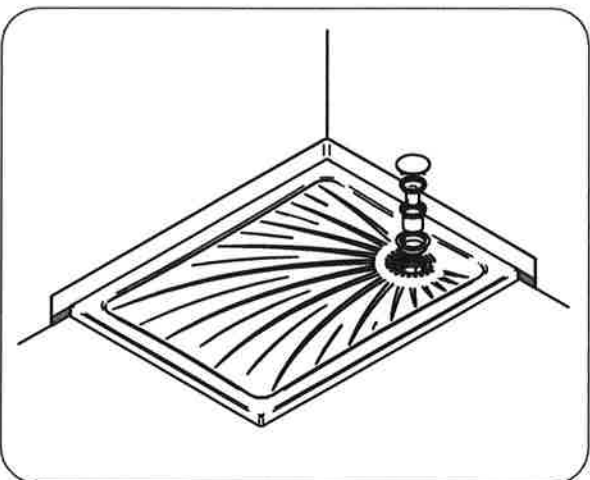
8 Using a roller press tape into place firmly. Ensure air gaps or creases are removed.



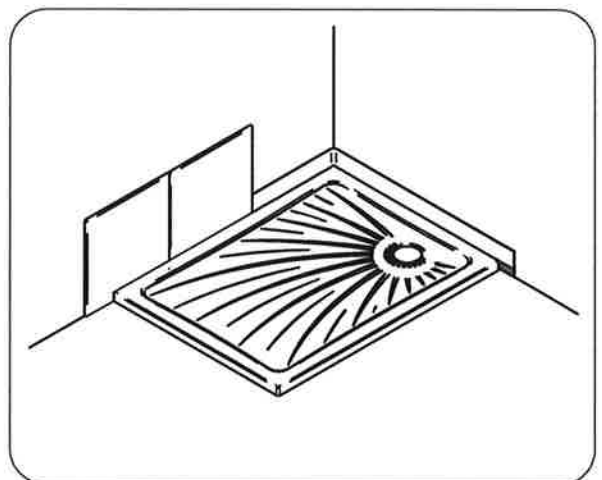
9 Apply tile adhesive to wall in upstand area.



10 Put the tray in position and press the upstand into tile adhesive ensuring there are no air gaps. **Allow 24 hours before exposing to water.**

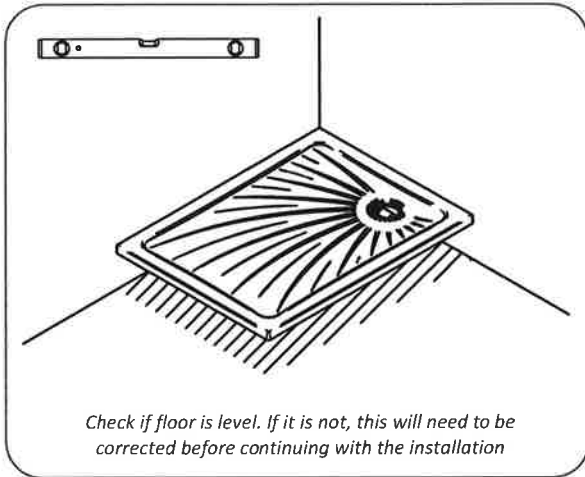


11 The trap can now be connected to the tray and reassembled.

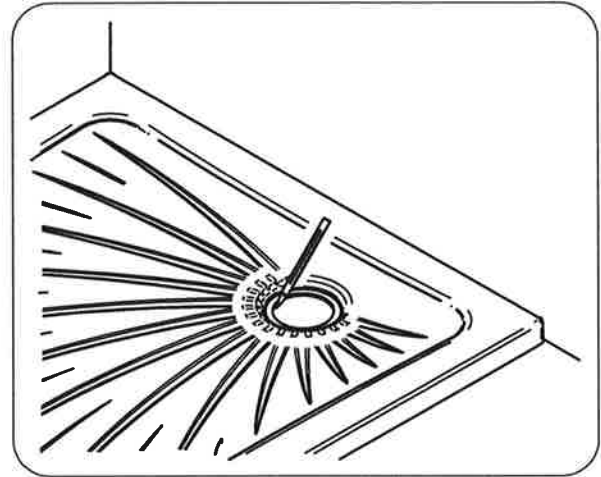


12 The tiling can now be completed.

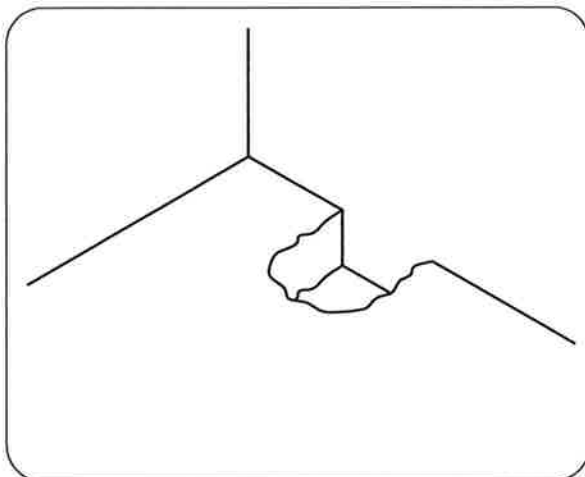
Bath Replacement Shower Tray Installation Guide for concrete floors



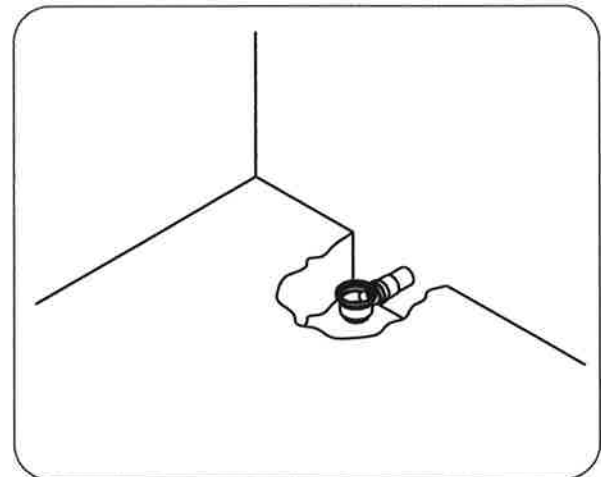
1 Determine which corner the tray is to be fitted into. This will establish which edges the fabric tile upstand will be attached to.



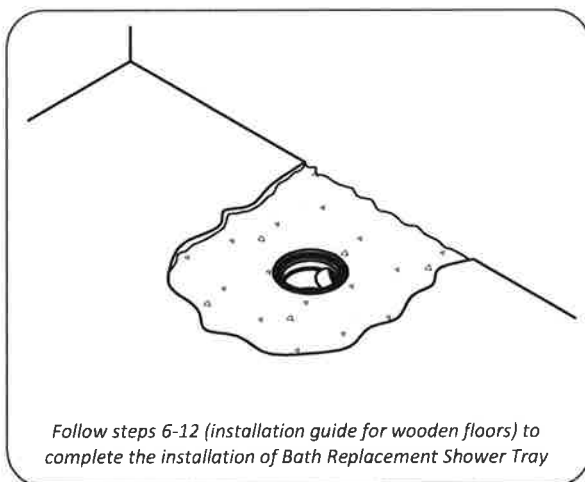
2 Place the tray in the desired location and mark position of shower trap. Then remove the tray. **Measure from outer edges of the tray to the centre of the drain . Use these dimensions to position the centre of the trap.**



3 Remove enough concrete for the installation of the waste pipe and shower trap. **Use extreme care whilst cutting the floor as there may be hidden pipes and cables.**

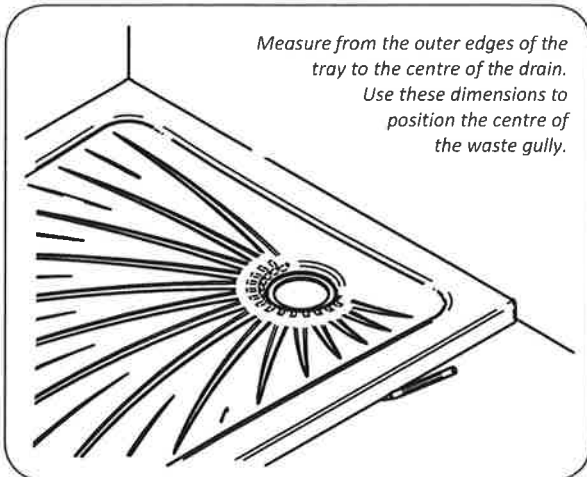


4 Position the trap centre in previously measured location (**stage 2**), then connect it to the waste pipe as shown. Remove internal parts of the trap and place to one side, as they will be required later.

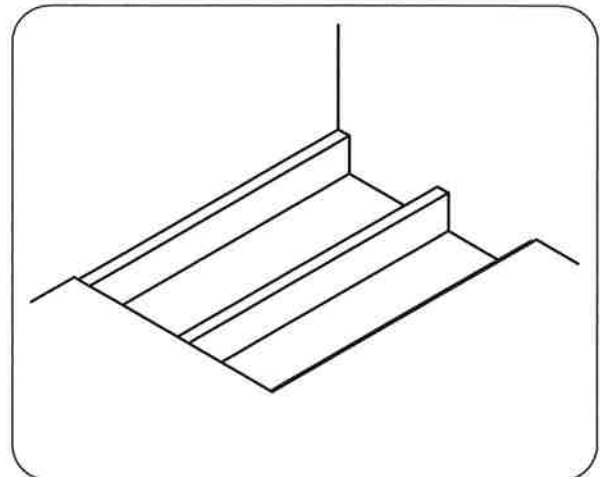


5 Lay a weak sand cement mix in the excavated hole and around the waste pipe and trap. **Ensure the mix is fairly dry.**

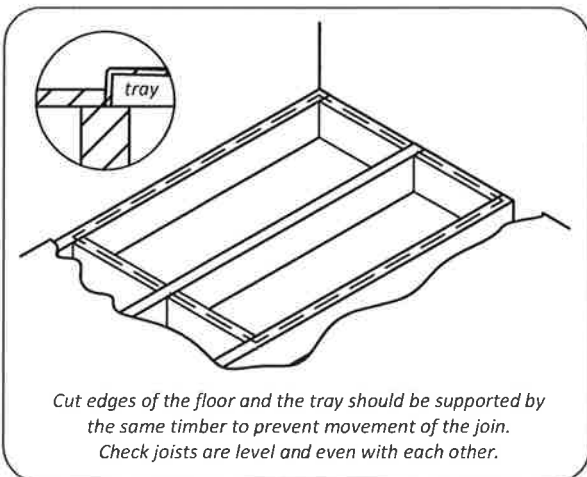
Bath Replacement Shower Tray Level Access Installation Guide for wooden floors



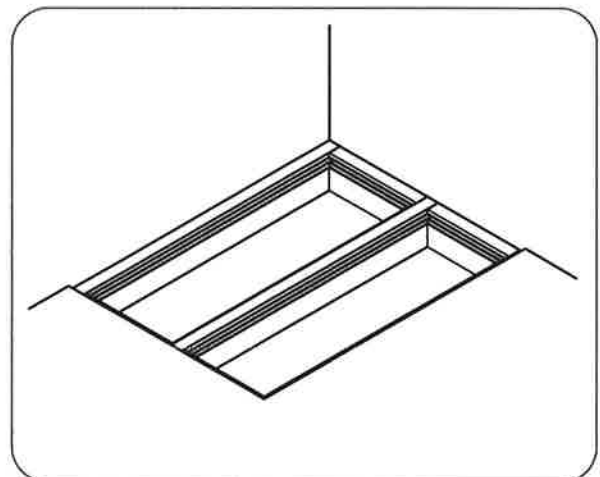
- 1** Position the tray in the desired location on the floor and mark around the outer edge.



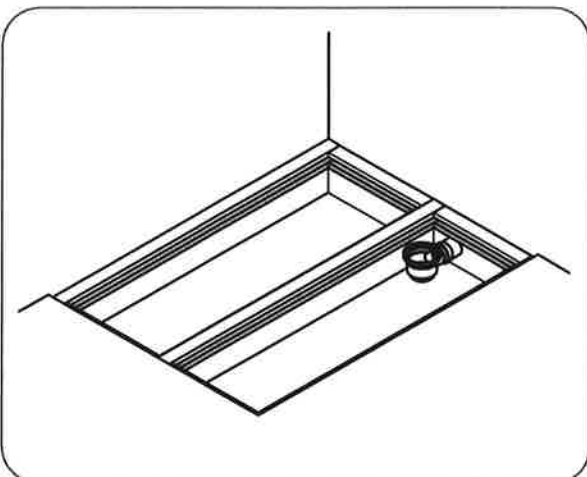
- 2** Using a suitable saw, cut along the outline then remove the floor boards. **Use extreme care whilst cutting the floor as there may be hidden pipes and cables.**



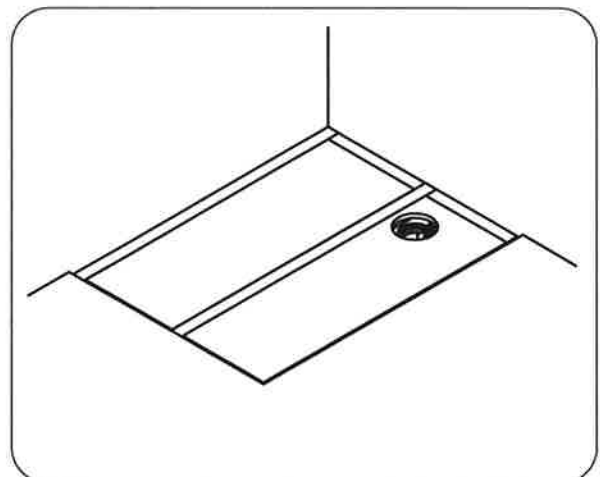
- 3** Fit noggins and trimmers to support outer edges of the tray.



- 4** Fix battens to the side of the joists and noggins. The battens must be fixed 18mm below the top of the joists to allow for the thickness of the plywood to provide flat and level base on which the tray will be installed.

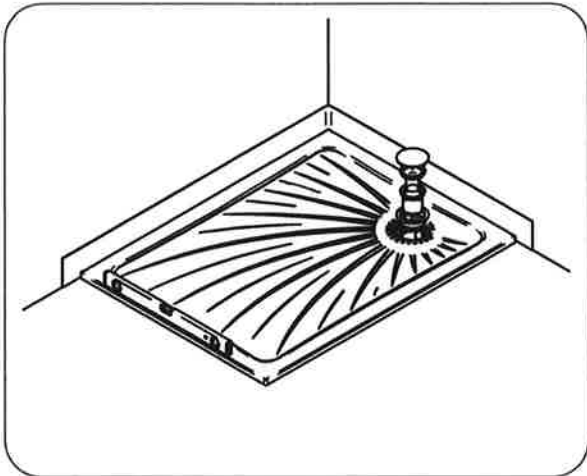


- 5** Position the trap centre in previously measured location (**stage 1**), then connect it to the waste pipe as shown. Remove internal parts of the trap and place to one side, as they will be required later.

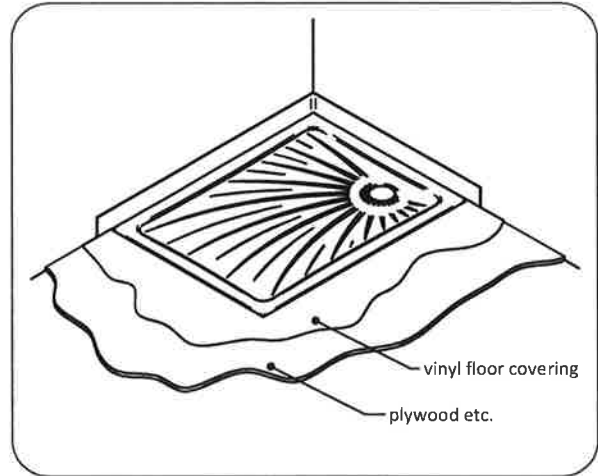


- 6** Measure and cut 18mm plywood panels required, then using suitable saw cut out a 200-220mm diameter hole around the trap and screw the panels to the battens below ensuring the platform is perfectly level.

Bath Replacement Shower Tray Level Access Installation Guide for wooden floors

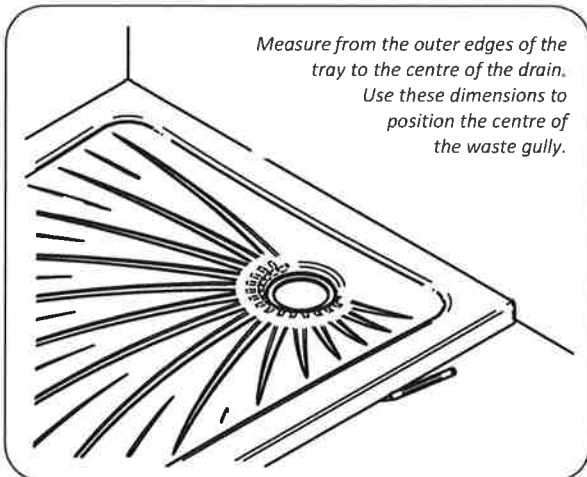


7 Apply the fabric tile upstand (stages 6-10 main installation), then connect and reassemble the trap.

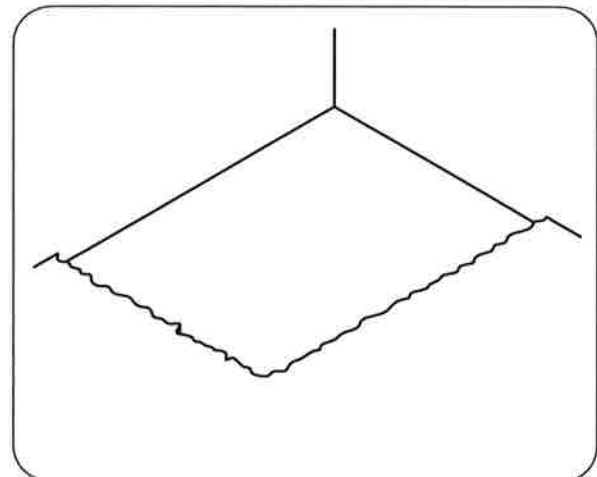


8 Install finished floor covering.

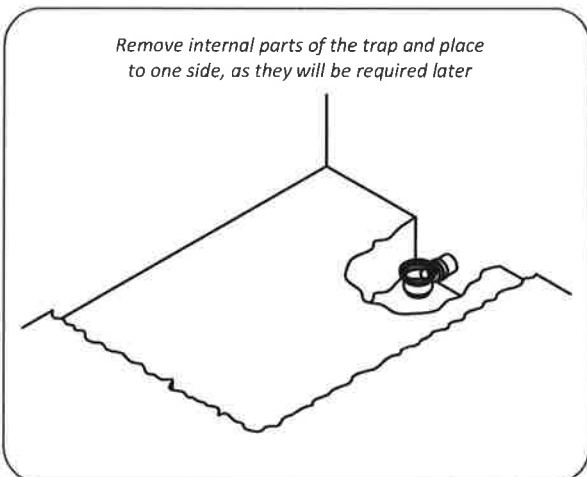
Bath Replacement Shower Tray Level Access Installation Guide for concrete floors



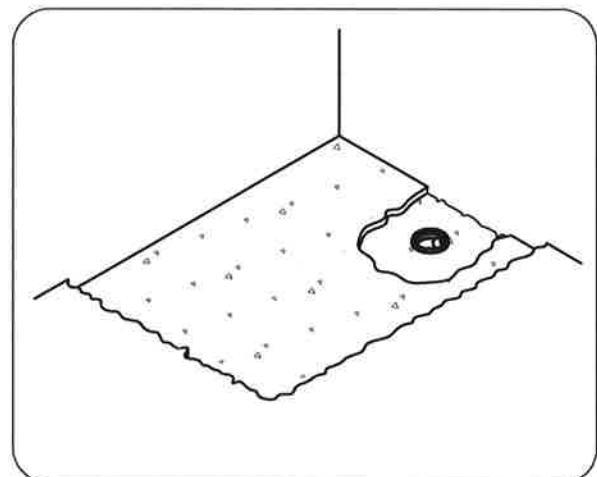
- 1** Position the tray in the desired location on the floor and mark around the outer edge.



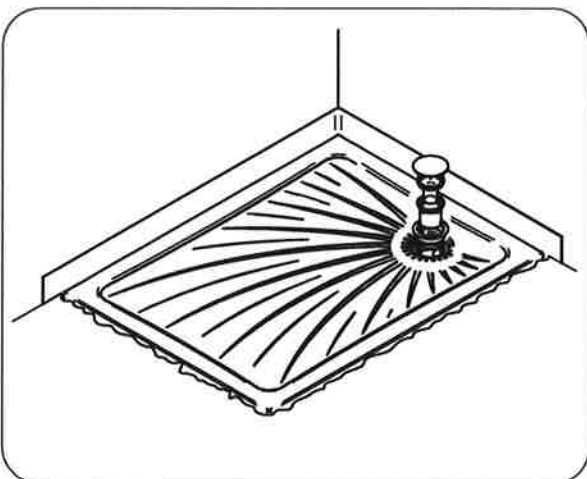
- 2** Using suitable equipment, excavate all the concrete within the marked area to a minimum depth of 50mm. Use **extreme care** whilst cutting the floor as there may be hidden pipes and cables.



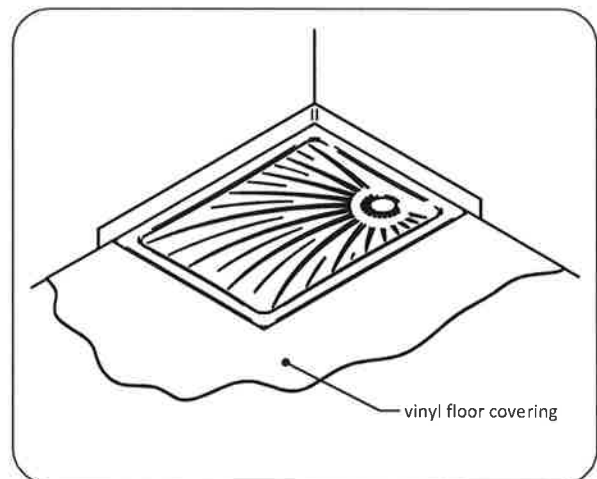
- 3** Remove enough concrete for the installation of the waste pipe and shower trap. Position the trap centre in previously measured location (**stage 1**), then connect it to the waste pipe as shown.



- 4** Lay a weak sand cement mix in the excavated hole and around the waste pipe and trap. **Ensure the mix is fairly dry.**

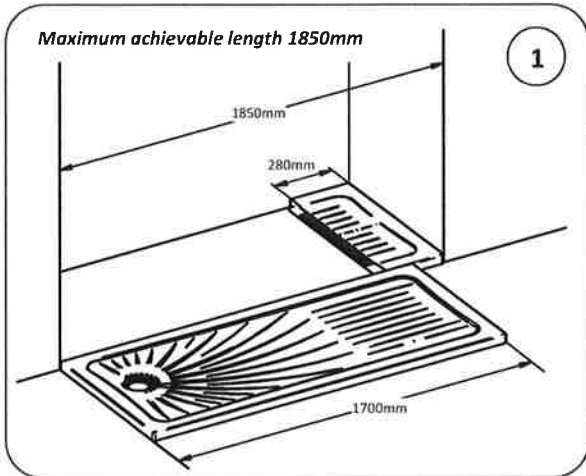


- 5** Apply the fabric tile upstand (stages 6-10 main installation), then connect and reassemble the trap.

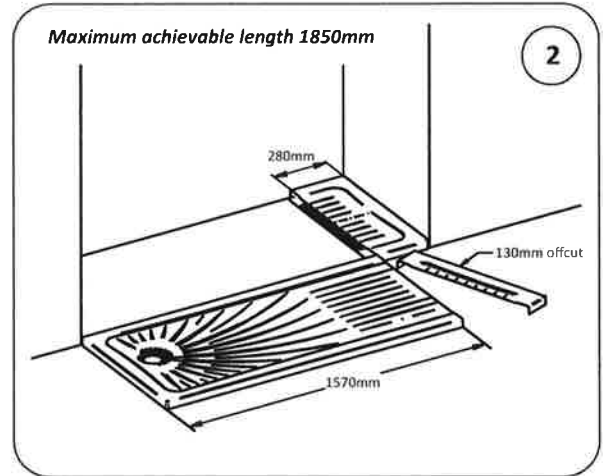


- 6** Lay the vinyl flooring in an approved manner ensuring it is level with the top of the shower tray.

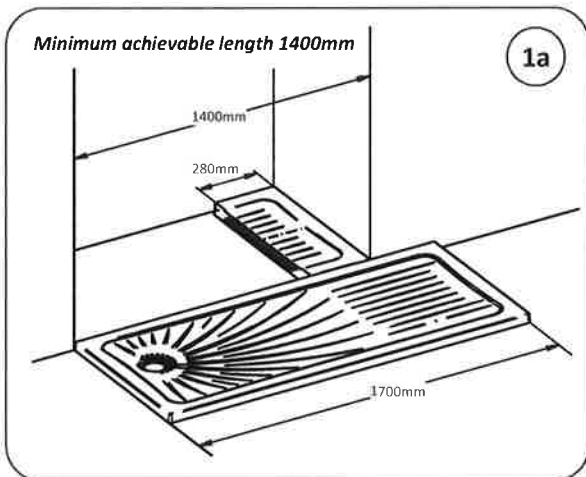
Bath Replacement Shower Tray Installation Guide Variable Length



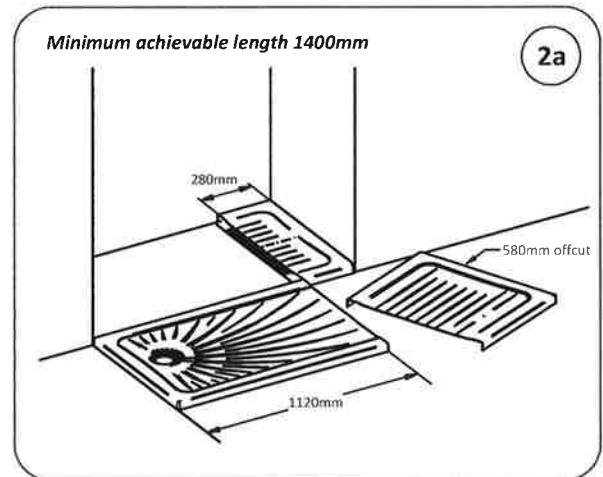
Measure the area where the tray will be installed. Place the endcap in the desired location. The length of the tray after it has been cut will equal the width of the recess reduced by 280mm (size of the endcap).



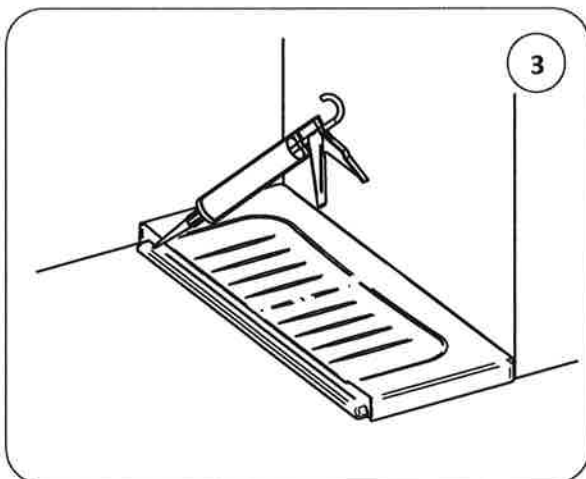
Trim the tray using a fine blade saw, exercising extreme care not to damage or chip the finish of the tray.



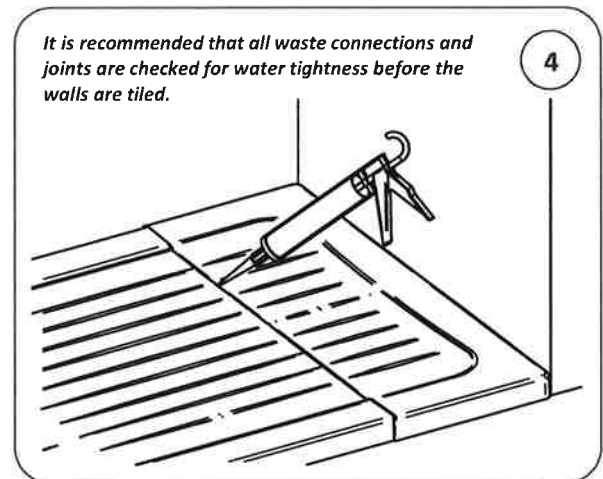
Refer to **stage 1**.



Refer to **stage 2**.



Apply a generous bead of silicone sealant to the support face of the end cap, connect the waste trap and pipe to the tray, then apply silicone sealant to the cut edge of the shower tray to prevent ingress of moisture. Place the end cap onto the tray.



It is recommended that all waste connections and joints are checked for water tightness before the walls are tiled.

Follow the fixing instructions in the main installation guide ensuring the tray is level. With the tray in position, carefully seal the joint between the tray and end cap with silicone sealant.



Diagram 1. Cross section of Bath Replacement Shower Tray and joists.

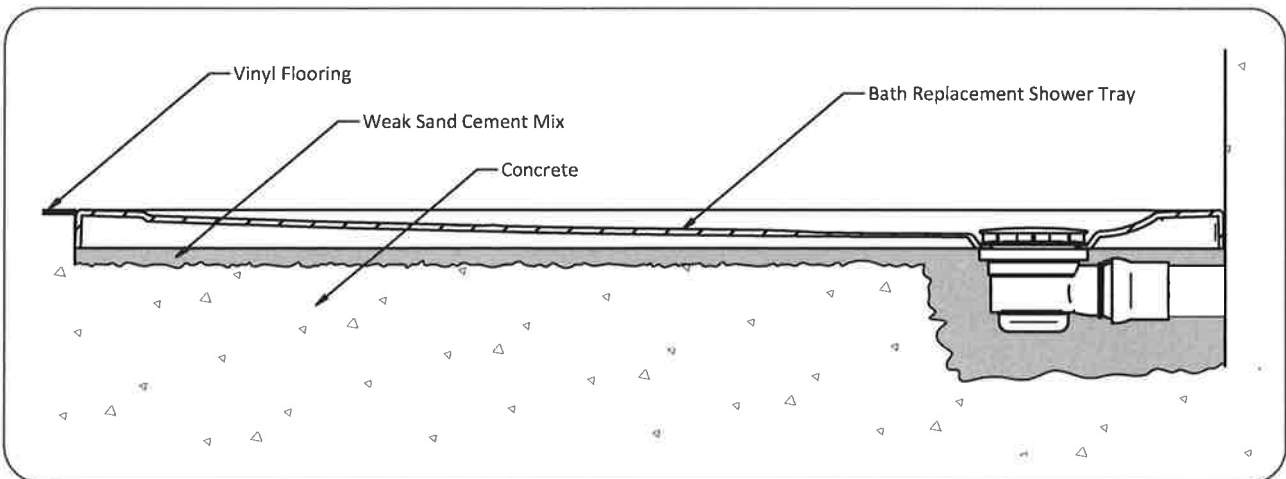



Diagram 2. Cross section of Bath Replacement Shower Tray and concrete floor.



IMPEY SHOWERS LIMITED, CONQUEST BUSINESS PARK, ILTON, SOMERSET TA19 9EA
TEL: 01460 256090 | FAX: 01460 259800 | EMAIL: info@impeyshowers.com

www.impeyshowers.com

 facebook.com/impeyshowers

 [@impeyshowers](https://twitter.com/impeyshowers)