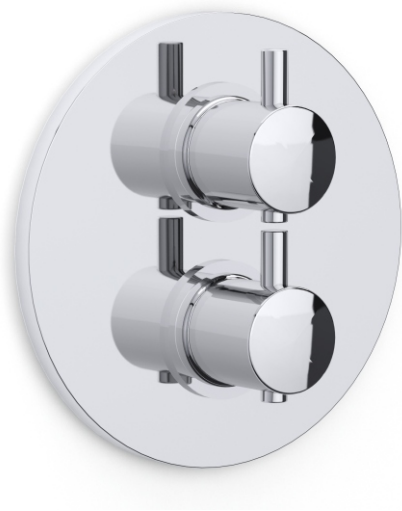


Introduction

Modern and fast-paced like today's city living. The Kiko range is defined by clean lines and efficiency, with a stylish soaker head and minimalist accessories. Be modern, be bold, be reassured by Inta's Kiko showering range

Features

- Thermostatic Anti-Scald Protection
- Peg Lever Handles
- High Flow rates
- Built-in Diverter
- Range of Kits with Deluxe Options Available



Product Range

Description	Code
Kiko Concealed Thermostatic Shower Single Outlet	KK40010CP
Kiko Concealed Thermostatic Shower Dual Outlet	KK80010CP



All Kiko bar showers feature inta's proven anti-scald thermostatic technology.

Technical Specification

Minimum Inlet Pressure: 0.2 Bar (dynamic)

Maximum Inlet Pressure: 5 Bar (static)

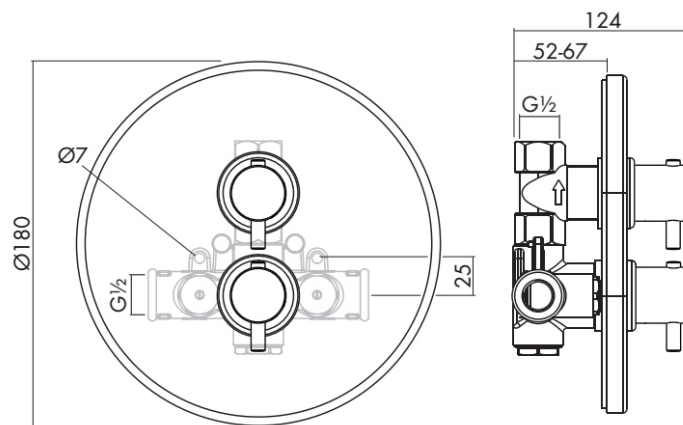
Inlet Connections: G $\frac{1}{2}$ "

Outlet Connection: G $\frac{1}{2}$ "

Factory Pre-set Temperature: 38°C

Minimum Inlet Temperature Differential: 10°C

KK40010CP



KK80010CP

