

thermostatic mixing valves -

Intamix Pro Thermostatic Mixing Valves

Introduction

The Intamix Pro range is designed for use in applications where a high volume of water is required at the outlet, such as shower blocks and centralised mixing. Providing a high volume of water at a stable temperature, the Intamix Pro reflects the quality of the Intatec range of washroom solutions.

intamix **Pro**
 provides
 a **high** volume of
 water at **stable**
 temperatures with
thermostatic
 protection

- Thermostatic protection
- Tamper proof head
- Single piece thermostatic cartridge construction
- Automatic shut off in the event of hot or cold water failure
- High flow rate, low pressure drops
- Adjustable outlet temperature
- Temperature stability $\pm 2^{\circ}\text{C}$



Product Range

| Description | Code |
|--|---------|
| intamix pro 1/2" with screwed iron MxMxM complete with integral check valves/filters | 60001CP |
| intamix pro 3/4" with screwed iron MxMxM complete with integral check valves/filters | 60003CP |
| intamix pro 1" with screwed iron MxMxM complete with integral check valves/filters | 60004CP |
| intamix pro 1 1/4" with screwed iron MxMxM complete with integral check valves/filters | 60005CP |
| intamix pro 1 1/2" with screwed iron MxMxM | 60006CP |
| intamix pro 2" with screwed iron MxMxM | 60023CP |



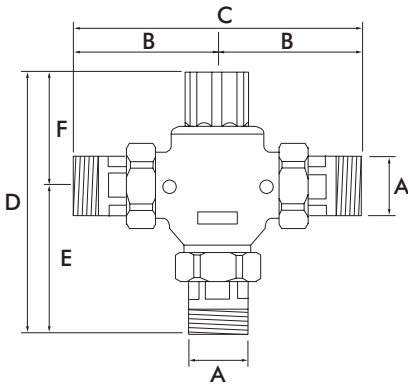
thermostatic mixing valves -

Intamix Pro Thermostatic Mixing Valves

Features

Technical Specification

| | |
|--|-----------------|
| Max Inlet Pressure | 14 Bar (static) |
| Min Inlet Pressure (dynamic) | 0.2 Bar |
| Max Inlet Temperature | 85°C |
| Max Inlet Pressure Differential | 2:1 |
| Outlet Temperature Adjustment | 30°C - 65°C |
| Min Temperature differential to achieve hot or cold failsafe | 10°C |



| Code | A | B | C | D | E | F | Weight (kg) |
|---------|--------|-----|-----|-----|-----|-----|-------------|
| 60001CP | 1/2" | 85 | 170 | 169 | 95 | 74 | 1.65 |
| 60003CP | 3/4" | 85 | 170 | 169 | 95 | 74 | 1.68 |
| 60004CP | 1" | 101 | 202 | 195 | 107 | 88 | 3.09 |
| 60005CP | 1 1/4" | 101 | 202 | 195 | 107 | 88 | 3.07 |
| 60006CP | 1 1/2" | 129 | 258 | 243 | 135 | 108 | 8.0 |
| 60023CP | 2" | 129 | 258 | 243 | 135 | 108 | 8.24 |

