

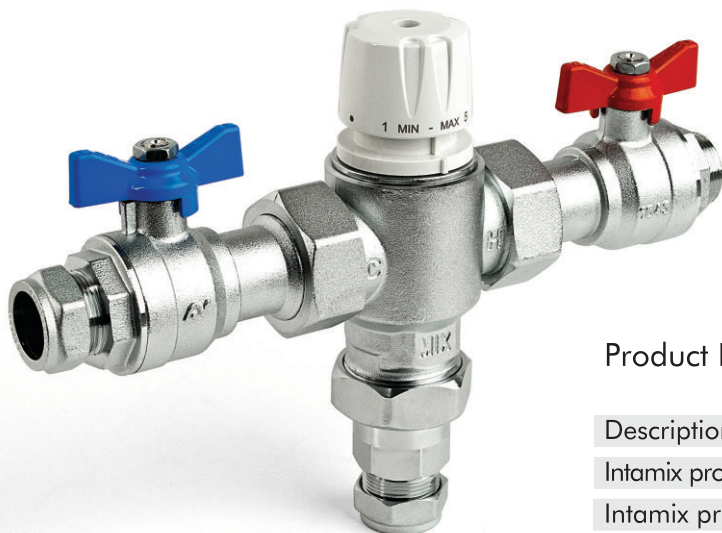
## Intamix pro v thermostatic mixing valves

intamix pro  
provides a  
**high** volume of  
water at **stable**  
**temperature**

### Introduction

The Intamix Pro V range is designed for use in applications where a high volume of water is required at the outlet such as shower blocks and centralised mixing. Providing a high volume of water at a stable temperature, the Intamix Pro V reflects the quality of the intatec range of total washroom solutions.

- Thermostatic protection
- Tamper proof head
- Single piece thermostatic cartridge construction
- high flow rate, low pressure drops
- Adjustable outlet temperature
- Automatic shut off in the event of hot or cold water failure
- Temperature stability of +/-2°C
- Inline isolation valves and check valves

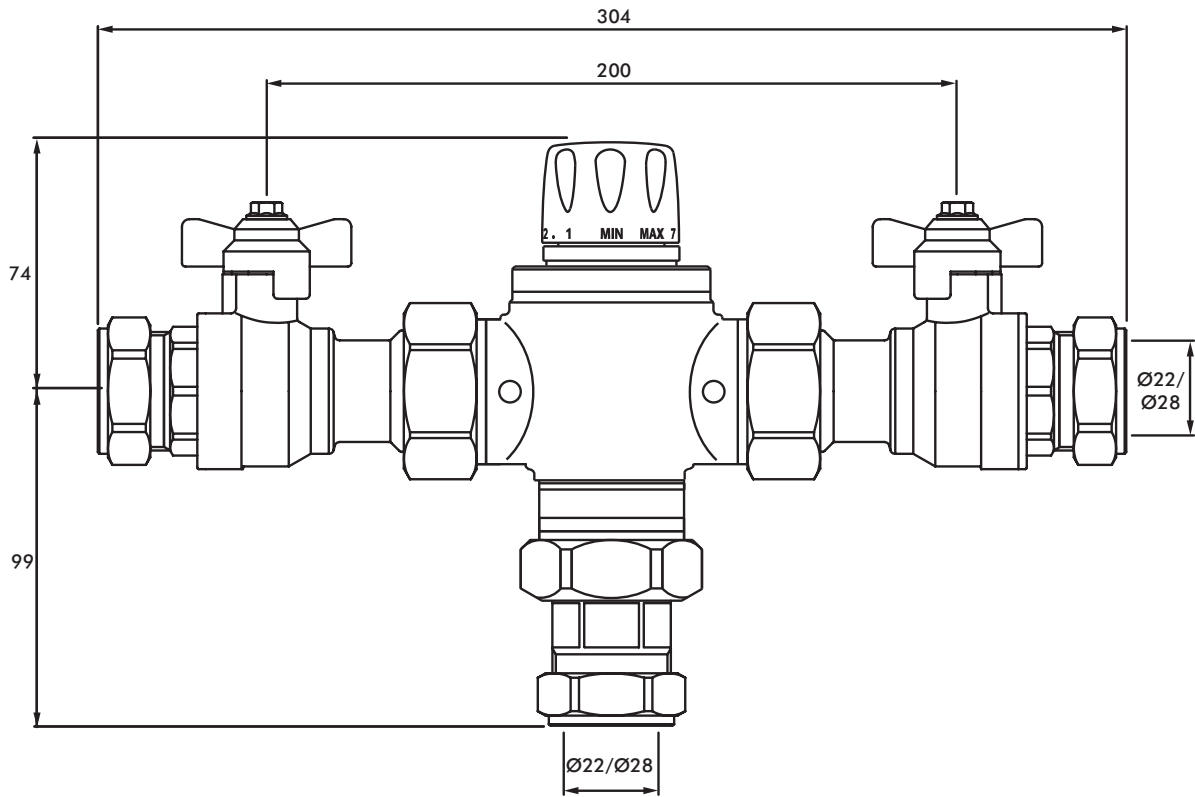


### Product Range

Description	Code
Intamix pro v 22mm with isolating unions	61022CPB
Intamix pro v 28mm with isolating unions	61028CPB

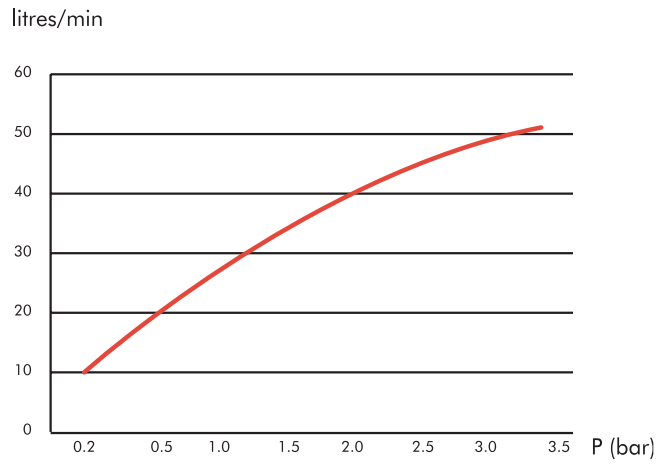
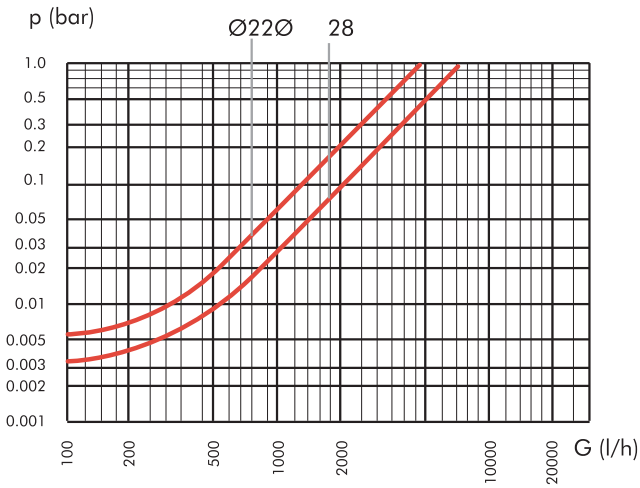


## Intamix pro v thermostatic mixing valves



■ Pressure Differential

■ Flow Rate



Size	22 <sub>mm</sub>	28 <sub>mm</sub>
Kv(m <sup>3</sup> /h)	4.0	4.5

