



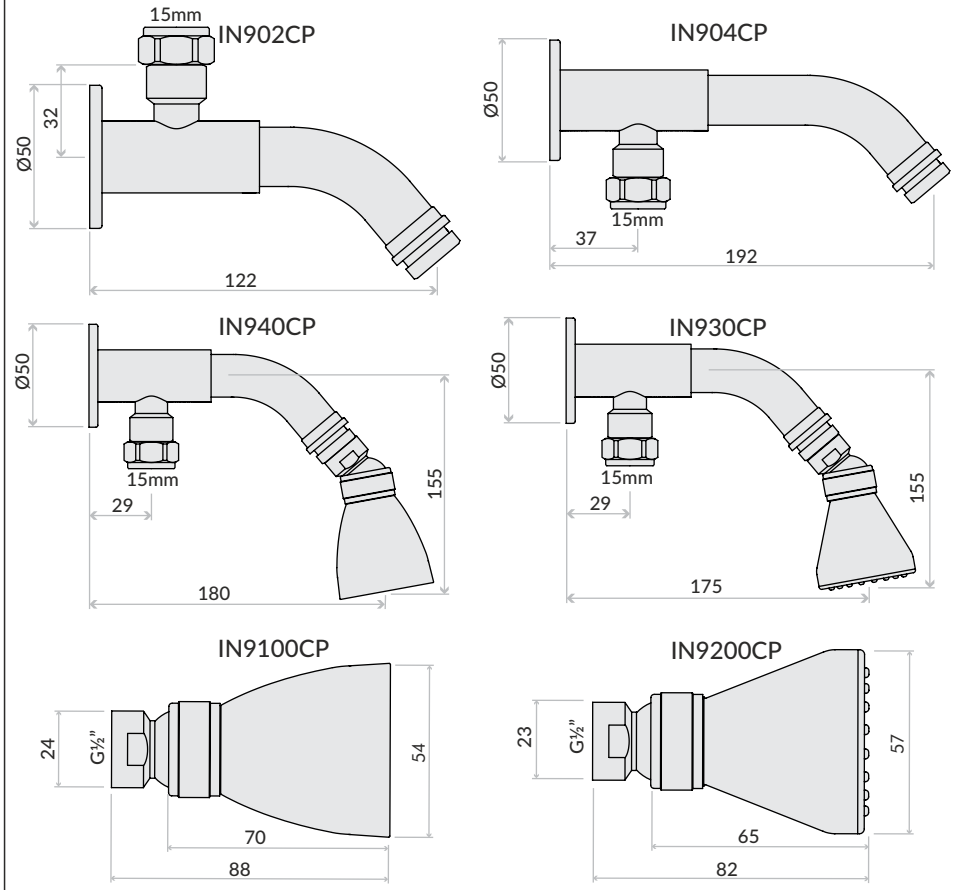
Product

IN902CP	intaccept top entry shower arm
IN904CP	intaccept bottom entry shower arm
IN930CP	intaccept bottom entry shower arm with rub clean shower head
IN940CP	intaccept bottom entry shower arm anti limescale shower head
IN9100CP	intaccept anti scale shower head (standard)
IN9200CP	intaccept rub clean shower head

Technical Specification

Min Operating Pressure:	0.5 Bar Dynamic
Max Operating Pressure:	5 Bar Static
Max Inlet Temperature:	65°C

Drawings



Additional Information

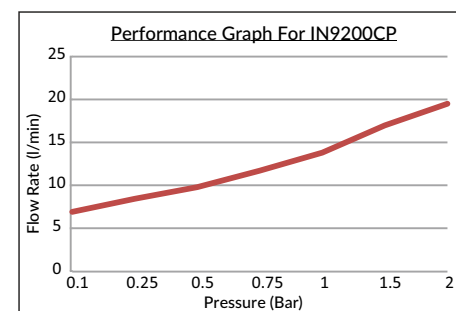
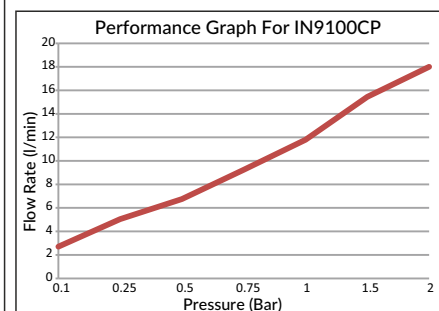
Easy installation

Stylish, eye catching looks

Robust, agile design

Ideal for commercial use

Flow Graphs



Scan for Further Information

Intatec, Airfield Industrial Estate, Hixon, Stafford, ST18 0PF

T. 01889 272180 F. 01889 272181 E. sales@intatec.co.uk

www.intatec.co.uk