



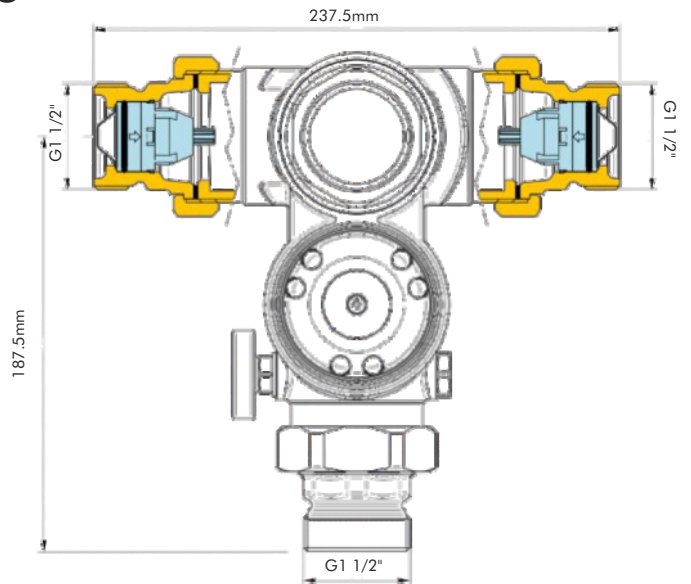
## Product

**60013CP - Thermostatic pressure balancing valve**

## Technical Specification

- Temperature Adjustment Range: 35°C - 60°C
- Temperature Stability:  $\pm 2^{\circ}\text{C}$
- Max Inlet Temperature 90°C
- Max Operating Pressure: 10 Bar Static, 5 Bar Dynamic
- Min Inlet Pressure: 0.5 Bar Dynamic
- Min Temperature to Achieve Failsafe: 10°C
- Max Pressure Inlet Differential: 5:1

## Drawing



## Additional Information

**Thermostatic protection**

**Maintains a constant pressure**

**Adjustable outlet temperature**

**High flow rate**

**Delivers stable temperatures even at low flow rates.**

## How It Works

