



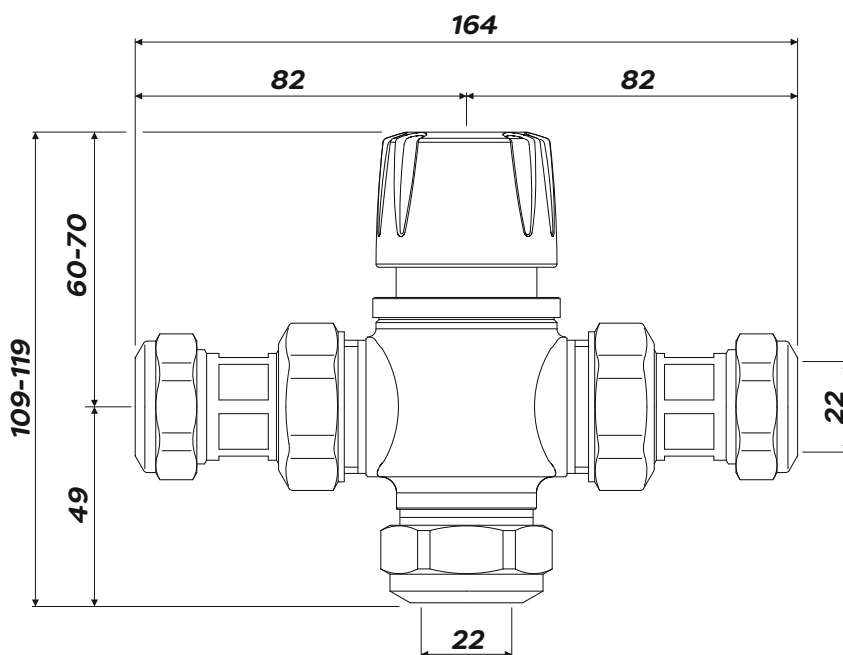
Product

60007CP - 22mm under bath thermostatic mixing valve
41028CPB - 28mm thermostatic mixing valve with isolation unions

Technical Specification

| | |
|---|------------------------------|
| Max Inlet Pressure (static): | 14 Bar |
| Min Inlet Pressure (dynamic): | 0.2 Bar |
| Max Inlet Temperature: | 85°C |
| Outlet Temperature Adjustment: | 25°C - 65°C |
| Temperature Stability: | +/-2°C |
| Inlet Connections: | 22 / 28mm Compression |
| Min temperature differential between hot inlet and mixed outlet to achieve failsafe: | 10°C |
| Max Inlet Pressure Ratio: | 2:1 |

60007CP



Additional Information

Thermostatic protection

Single piece thermostatic cartridge

Automatic shut off in the event of hot or cold water failure

High flow rate with low pressure drops

Adjustable outlet temperature

Temperature stability $\pm 2^\circ\text{C}$

22mm compression connections with integral check valves and filters

WRAS Approved (60007CP only)

Flow Rates 60007CP (Open Outlet)

| Pressure (Bar) | 0.25 | 0.5 | 0.75 | 1.0 | 1.5 | 2.0 | 2.5 | 3.0 | 3.5 | 4.0 |
|----------------|------|------|------|------|------|------|------|------|------|------|
| Outlet (L/m) | 10.0 | 15.4 | 18.2 | 22.0 | 27.8 | 32.9 | 36.8 | 41.0 | 44.6 | 47.3 |



Scan for Installation & Maintenance Instructions

Intatec, Airfield Industrial Estate, Hixon, Stafford, ST18 0PF
T. 01889 272180 F. 01889 272181 E. sales@intatec.co.uk

www.intatec.co.uk