



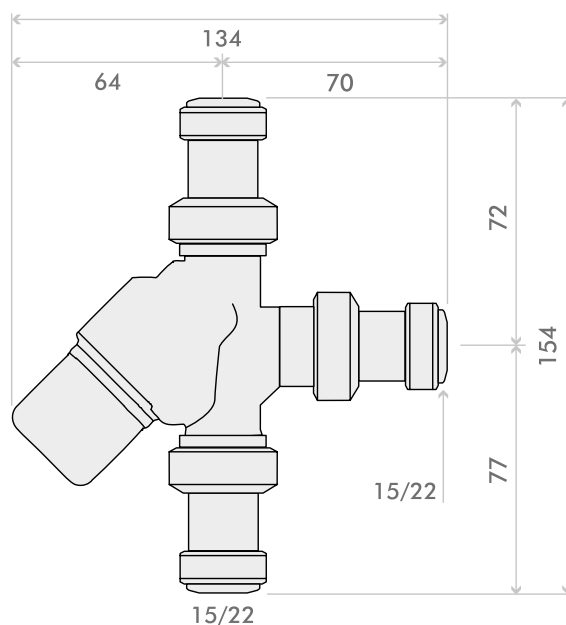
Product

60010CP *Inta L mix 15mm*
 60011CP *Inta L mix 22mm*

Technical Specification

Temperature Adjustment Range	30°C to 50°C
Temperature Stability	±2°C
Maximum Inlet Temperature	85°C
Maximum Working Pressure	10 Bar : Static
Minimum Working Pressure	0.2 Bar : Dynamic
Inlet Temperature Range	55°C - 65°C : Hot 0.5°C - 20°C : Cold
Maximum Temp. Differential for fail safe	10°C
Maximum Pressure Inlet differential	5:1

Drawing



Additional Information

High flow rates with Low Pressure drops

15mm & 22mm versions available

Integral Check Valves and Strainers

Highly resistant to scaling

Anti tamper proof head

Robust and Reliable

Easy installation

Integral Check Valves and Strainers

Flow Rates

