



Product

HTMWMBCP - Wall Mounted Infra-Red Thermostatic Hospital Tap, Battery Operated

HTMWMMCP - Wall Mounted Infra-Red Thermostatic Hospital Tap, Mains Operated

HTMWMBRS - Wall Mounted Infra-Red Thermostatic Hospital Tap, Battery Operated with Detachable Spout

HTMWMMRS - Wall Mounted Infra-Red Thermostatic Hospital Tap, Mains Operated with Detachable Spout

Technical Specification

Max Inlet Pressure (static):	10 Bar
Min Inlet Pressure (dynamic):	1 Bar
Max Inlet Temperature:	85°C
Factory Pre-set Temperature:	41°C
Temperature Stability:	+/-2°C
Max Unbalanced Pressure Ratio:	5:1
Min temperature differential Between Hot Inlet & Mixed Outlet to Achieve Cold Water Failsafe:	10°C



Additional Information

Conforms to Healthcare Performance Requirements HTM04-01 D08

Full safe touch body

Thermostatic control

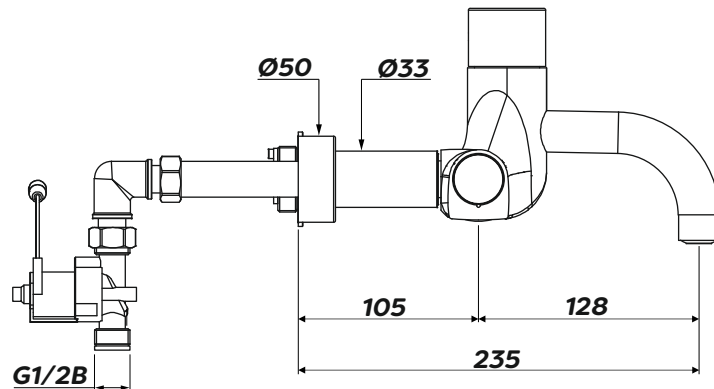
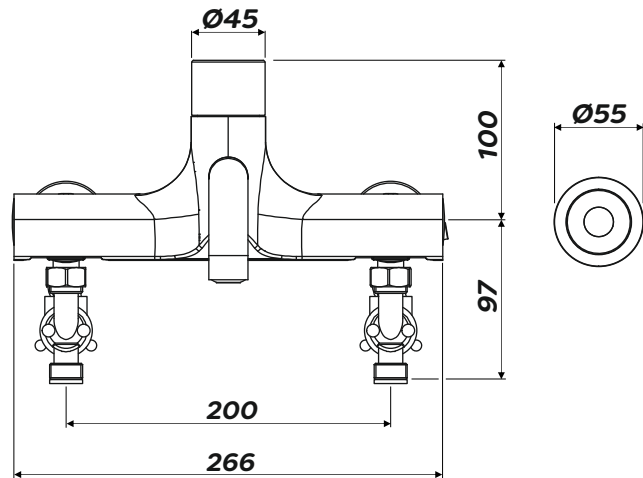
Integral isolation valves

Infra-red control with 24 hour auto hygiene flush

Smooth internal waterways

Sterilisation function for complete tap

Flow straightener compliant with HTM04-01



Intatec, Airfield Industrial Estate, Hixon, Stafford, ST18 0PF

T. 01889 272180 F. 01889 272181 E. sales@intatec.co.uk

www.intatec.co.uk