

## Product

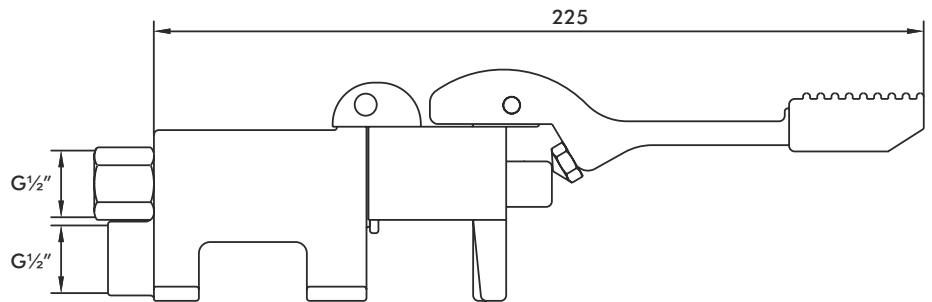
**LO801CP - Foot operated floor mounted mixing pedal tap with stop pedal for continuous flow**

## Technical Specification

<b>Max inlet pressure</b>	<b>8 bar</b>
<b>Min inlet pressure</b>	<b>0.5 bar</b>
<b>Inlet temperature range</b>	<b>5-70°C</b>
<b>Inlet connections</b>	<b>G1/2" (x2)</b>
<b>Outlet connections</b>	<b>G1/2"</b>



## Drawing



## Additional Information

**Stop pedal for continuous flow**

**Pedal operated progressive mixer**

**Hygienic**

**Robust construction**

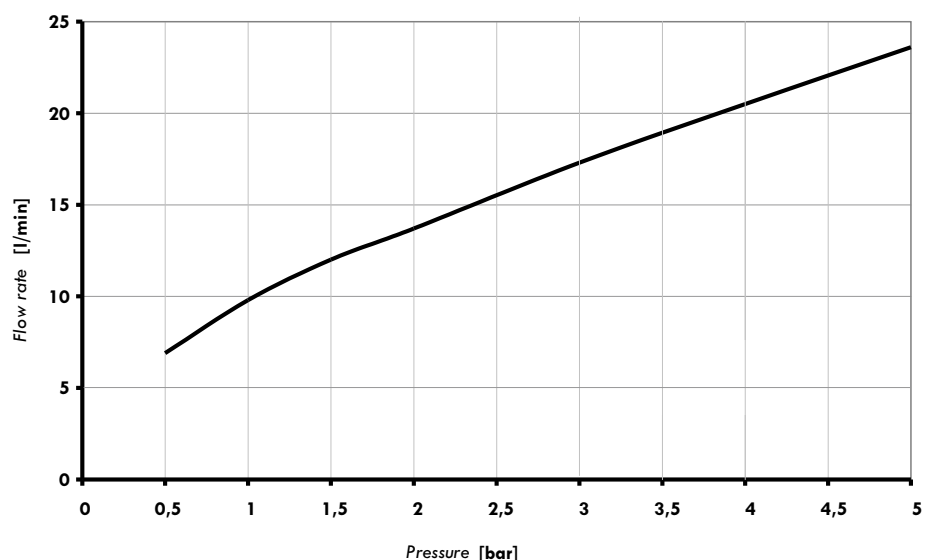
**Durable**

**Easy to install**

**Vandal resistant**

**Ideal for wide range of applications**

## Flow Graph



Scan for Further Information

**Intatec, Airfield Industrial Estate, Hixon, Stafford, ST18 0PF**

**T. 01889 272180 F. 01889 272181 E. [sales@intatec.co.uk](mailto:sales@intatec.co.uk)**

**[www.intatec.co.uk](http://www.intatec.co.uk)**

05/23  
E&OE