



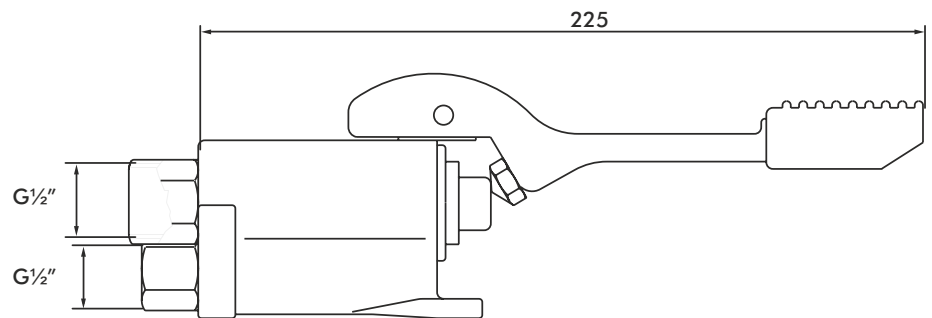
Product

LO803CP - Foot operated floor mounted mixing valve

Technical Specification

Max inlet pressure	8 bar
Min inlet pressure	0.5 bar
Inlet temperature range	5-70°C
Inlet connections	G1/2" (x2)
Outlet connections	G1/2"

Drawing



Additional Information

Hygienic

Robust construction

Durable

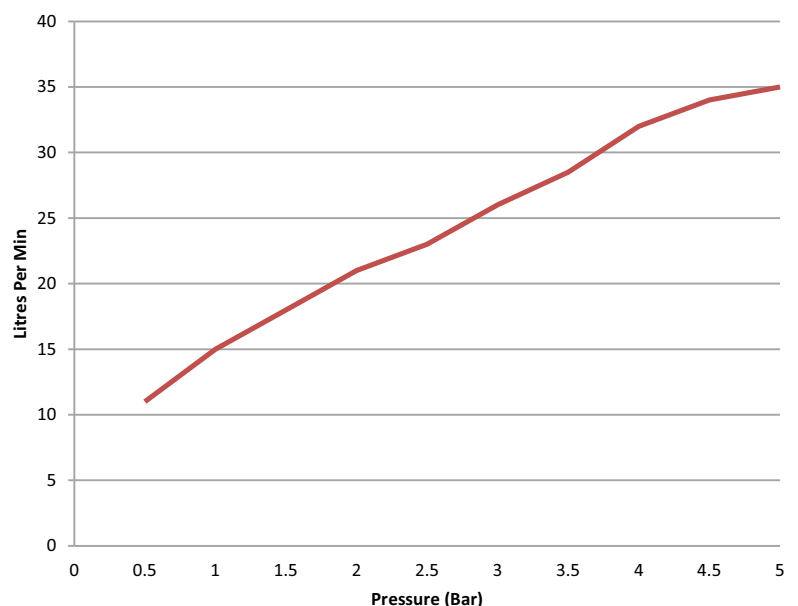
Easy to install

Individual pedal control of hot and cold water

Vandal resistant

Progressive closure to prevent water hammer

Flow Graph



Scan for Further Information

Intatec, Airfield Industrial Estate, Hixon, Stafford, ST18 0PF

T. 01889 272180 F. 01889 272181 E. sales@intatec.co.uk

www.intatec.co.uk