



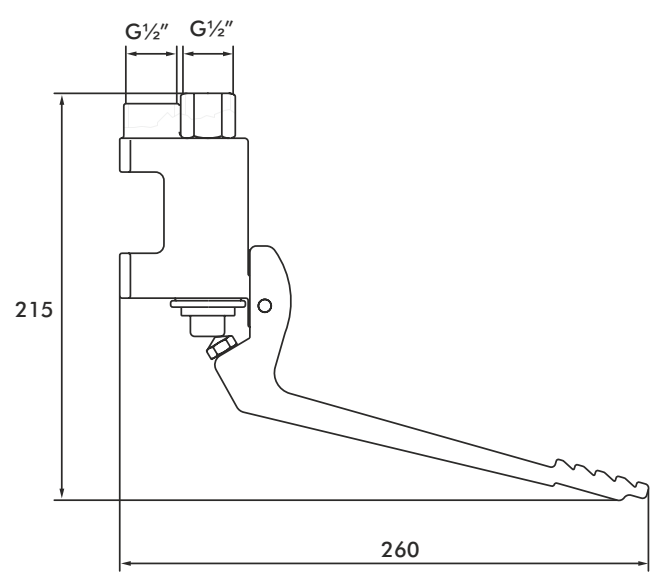
Product

LO804CP - Foot operated wall mounted pedal valve

Technical Specification

Max inlet pressure	8 bar
Min inlet pressure	0.5 bar
Inlet temperature range	5-65°C
Inlet connections	G1/2" (x2)
Outlet connections	G1/2"

Drawing



Additional Information

- Robust construction**
- Durable**
- Easy to install**
- Ideal for a wide range of applications**
- Pedal operated progressive mixer**
- Vandal resistant**
- Delivers water in a controlled and hygienic way**

Flow Graph

