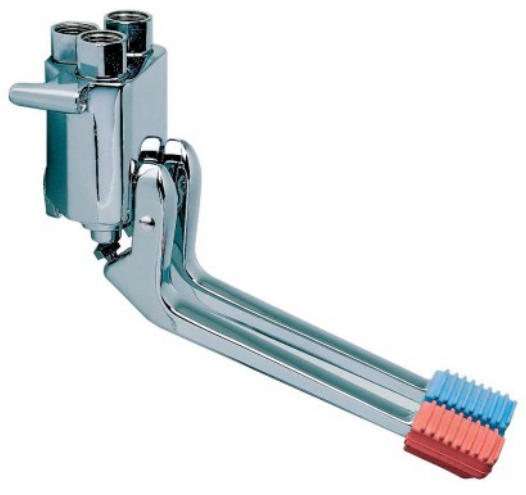


Product

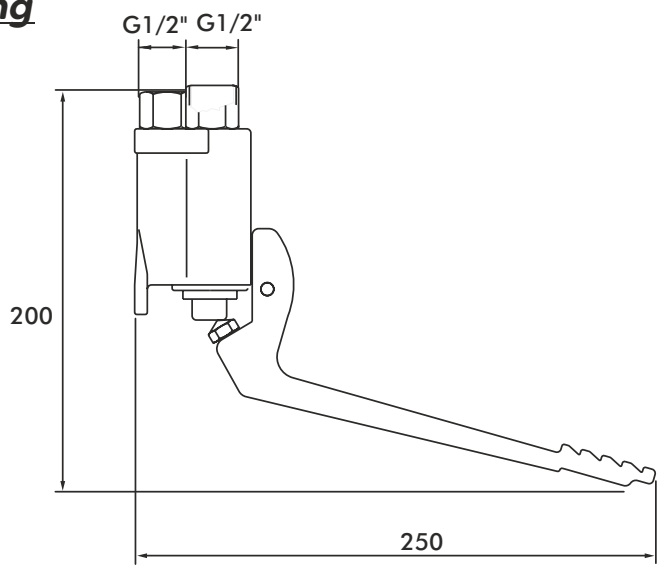
LO805CP - Foot operated wall mounted mixing pedal tap

Technical Specification

Max inlet pressure	8 bar
Min inlet pressure	0.5 bar
Inlet temperature range	5-65°C
Inlet connections	G1/2" (x2)
Outlet connections	G1/2"



Drawing



Additional Information

Individual pedal control of hot and cold water

Hygienic

Robust construction

Durable

Easy to install

Vandal resistant

Ideal for a wide range of applications

Flow Graph

