



Product

MM10031CP - Mio Safe Touch Thermostatic Single Outlet Bar Shower with Flexible Slide Rail Kit

Technical Specification

Max Inlet Pressure (static):	5 Bar
Min Inlet Pressure (dynamic):	0.2 Bar
Max Inlet Temperature:	60°C
Factory Pre-set Temperature:	38°C with max temp stop
Temperature Stability:	+/-2°C
Inlet Connections with fast fix:	15mm
Outlet Connection:	G1/2" BSP
Min temperature differential between hot inlet and mixed outlet to achieve cold water failsafe:	10°C



Additional Information

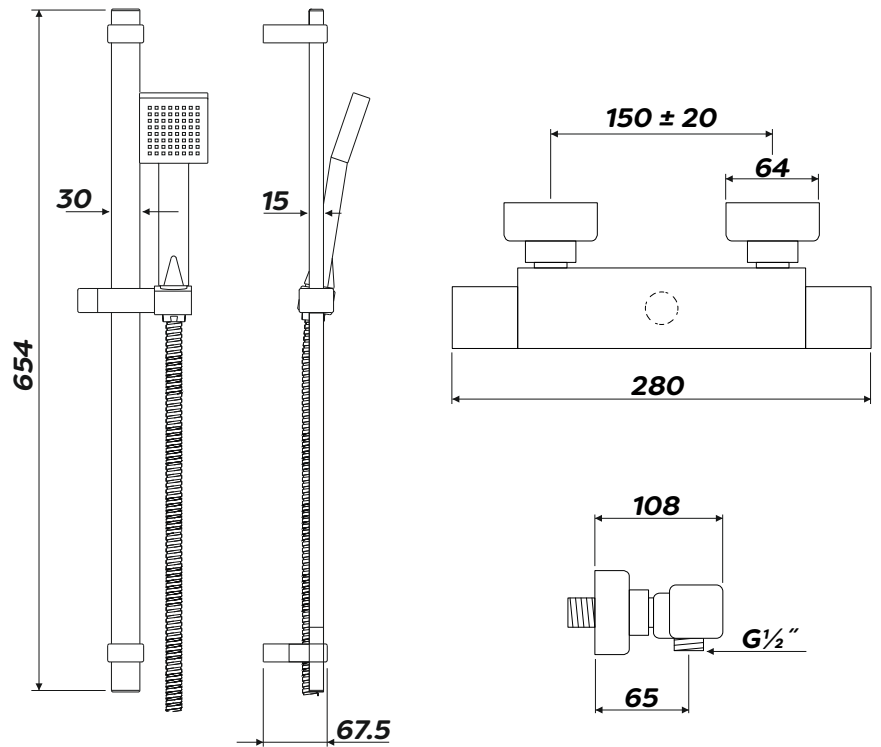
Anti-scald thermostatic technology with fail safe protection on both the hot and cold supplies

Adjustable fixing points for riser

Large bore anti-twist hose

Safe touch body with stylish metal handles

Deluxe option available



Flow Rates (Open Outlet)

Pressure (Bar)	0.25	0.5	0.75	1.0	1.5	2.0	2.5	3.0	3.5	4.0
Bottom Outlet (L/m)	3	5	6.5	7.8	9.5	11	12.5	14	15.5	16.4