

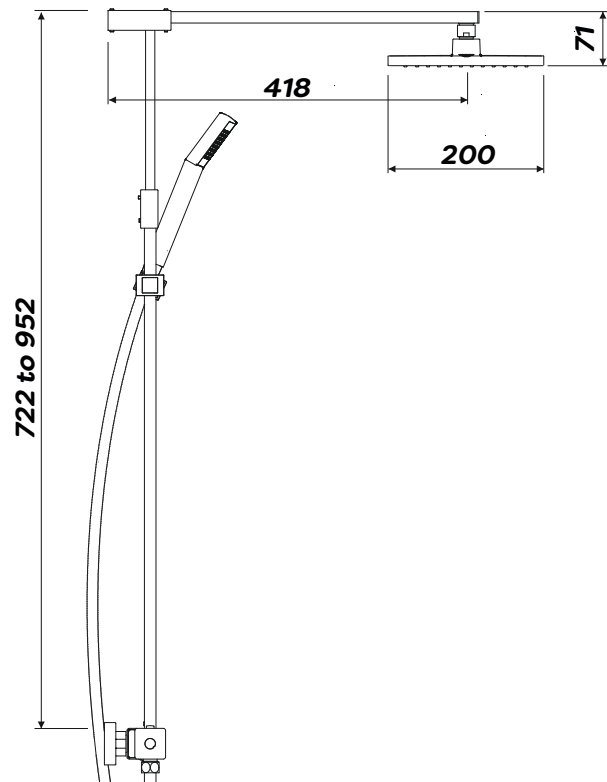
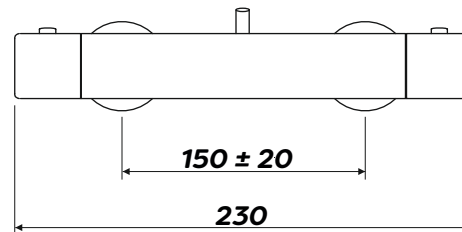


Product

CB10032CP - Nulo Safe Touch Thermostatic Bar Shower with Adjustable Riser, Overhead Soaker & Handset

Technical Specification

| | |
|--|--------------------------------|
| Max Inlet Pressure (static): | 5 Bar |
| Min Inlet Pressure (dynamic): | 0.4 Bar |
| Max Inlet Temperature: | 60°C |
| Factory Pre-set Temperature: | 38°C with max temp stop |
| Temperature Stability: | +/-2°C |
| Inlet Connections with fast fix: | 15mm |
| Outlet Connection: | G1/2" BSP (Bottom) |
| Min temperature differential between hot inlet and mixed outlet to achieve cold water failsafe: | 15°C |



Additional Information

Anti-scald thermostatic technology with fail safe protection on both the hot and cold supplies

Safe touch body in a minimalistic style

Fully adjustable telescopic riser with large overhead soaker

Large bore anti-twist hose

Fast fix brackets as standard

Deluxe option available