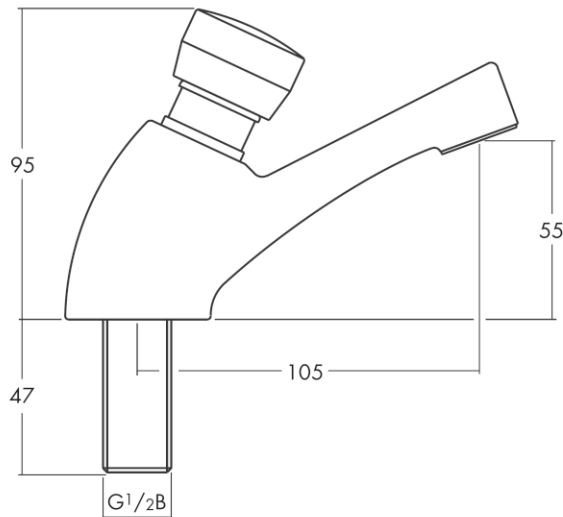


## NC160CP Standard Basin Mounted Non Concussive Tap



### Operating Conditions

Max. Operating Pressure	10 bar
Min. Operating Pressure	0.5 bar
Max. Inlet Temperature	65°C
Timed Flow @ 1bar	15 ± 3 sec.
Max. Basin Thickness	26mm

### Water Byelaws

Your Inta taps must be connected in accordance with the Water Byelaws.

To prevent back flow and contamination of the water supply for drinking and culinary purposes taps must provide a **AUK2** or **AUK3** air gap between the outlet and basin.

Inta basin taps provide a type **AUK2** tap gap, for domestic usage, and a type **AUK3** for non domestic locations.

**In order to prevent scalding, the hot water tap should be connected to the hot water supply via a thermostatic mixing valve.**

It is recommended that a service valve is installed in the cold water supply pipe and the thermostatic mixing valve should have connections containing an isolating valve, in order to isolate the tap should servicing be required in the future.

### Installation

The easiest way to install the taps to the basin is to do so before the basin is installed when access to the back nuts is readily available.

The tap for the hot water should be fitted on the left side when facing the basin and the cold on the right.

If replacing existing taps ensure the water supply is turned off and that the old taps are completely removed.

### Fitting to Basin

Insert the threaded inlet through the hole in the basin. Fit the rubber washer and back nut onto the threaded inlet to secure the tap. Do not over tighten the back nut.

Use a swivel connector with a fibre washer (tap connector) to connect the water supply and make a water tight joint.

**Note:** if replacing existing taps the threaded inlet may be shorter than the original taps.

Repeat the operation for the second tap.

Turn on the water supply to both taps and run water for a couple of minutes. Check all joints for leakage.

### Aftercare

Inta taps have a high quality finish and should be treated with care.

An occasional wipe with a mild washing-up liquid on a soft damp cloth followed by a thorough rinsing is all that is required.

**Do not use an abrasive or chemical household cleaner** as this may **cause damage**.

Inta taps are manufactured to the highest standards and require little maintenance. The sealing washers should last for many years and are readily available.

**Intatec Limited, Airfield Industrial Estate, Hixon, Stafford, ST18 0PF**  
**Tel: 01889 272180 Fax: 01889272181 Email: sales@intatec.co.uk**