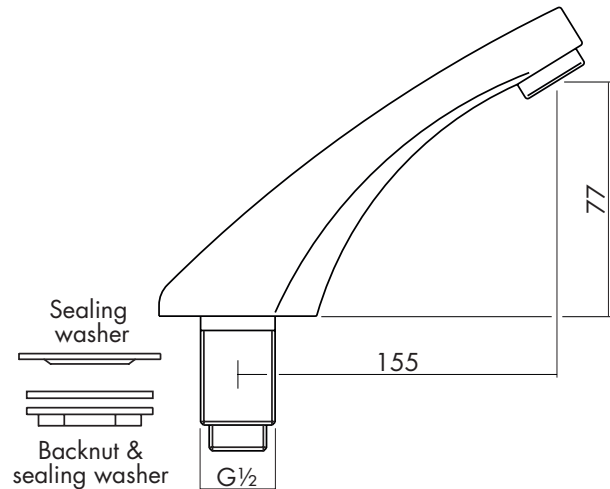


5163CP Surface Mounted Fixed Basin Spout



Dimensions



Introduction

Inta offer a full range of spouts to suit all applications.

Inta spouts are of robust construction with an easy to clean polished chrome finish making them ideal for commercial applications.

The 5163CP spout is ideal for commercial applications in public wash rooms and toilets, kitchens, food preparation areas, hospitals and industrial applications.

The spout can be used with domestic hot or cold water.

The spout requires a controller to turn on and off the water supply when required such as;

- concealed infra red controller
- concealed timed flow controller
- pedal operated flow controller.

Technical Specification

Min. operating pressure:	0.5 bar - dynamic
Max. operating pressure:	5 bar - static
Max. inlet temperature:	65°C

Preparation for installation

Flush the water supply pipes thoroughly prior to installation. Do not allow debris, PTFE tape or any metal particles to enter the spout.

Do not expose to temperatures below 5°C, for example during winter. If the spout will be exposed to freezing conditions the system should be drained.

Preparation for installation

Important: All plumbing is to be installed in accordance with applicable codes and regulations and provide the necessary air gap to prevent contamination of the water system.

It is recommended, especially in hard water areas, that a water softener such as the ActivFlo or ActivFlo lite be fitted to reduce the risk of calcium deposits forming.

Installation

The 5163CP spout should be mounted on a horizontal surface on a basin or sink.

Ensure that the outlet of the spout will be over the basin or sink.

The spout requires a hole 22mm in diameter for a close fit or 24mm when more clearance is required.

Use the white washer, black rubber washer and backnut provided to secure the spout to the basin or sink before connecting the water supply.

The rubber washer is fitted adjacent to the backnut.

It is easier to install the spout before the basin or sink is installed when the washers and backnut are accessible.

Aftercare

Inta spouts have a high quality finish and should be treated with care. An occasional wipe with a mild washing-up liquid on a soft damp cloth followed by a thorough rinsing is all that is required.

Do not use an abrasive or chemical household cleaner as this may cause damage.