

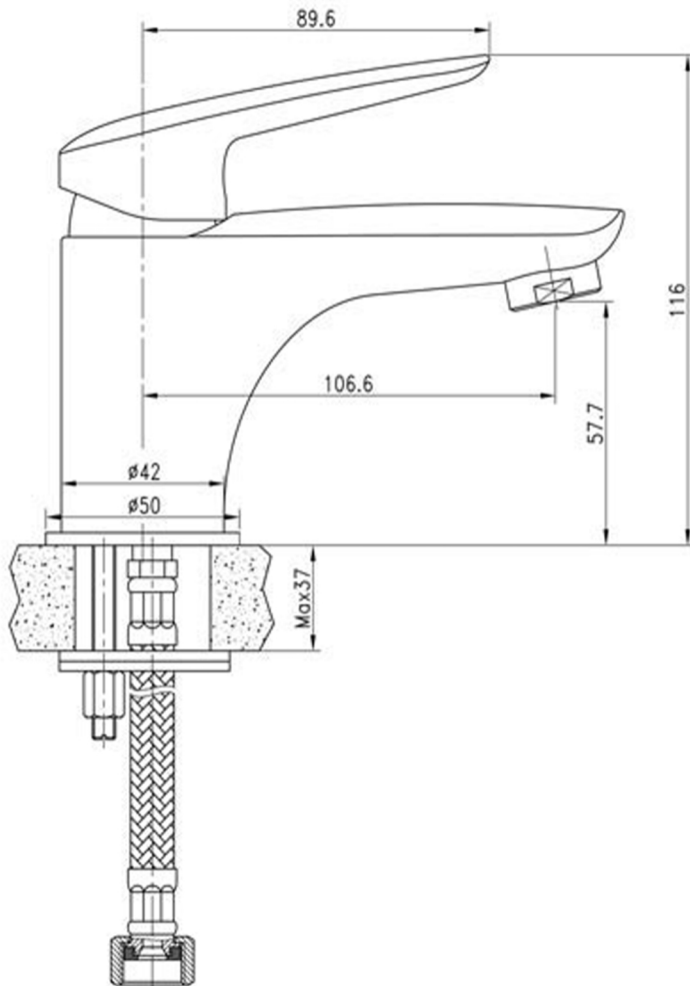


Technical Data Sheet

Product range: YATIN

Product code: JTYE111P

Finishes Available: Chrome



Min Pressure:

LP 0.2

Approvals:

N/A

Connections:

G1/2"

Warranty:

15 Years (5 on cartridges)

Flow Rate

0.5 Bar: 5.2 L/min

1 Bar: 7.4 L/min

2 Bar: 10.4 L/min

3 Bar: 12.7 L/min