

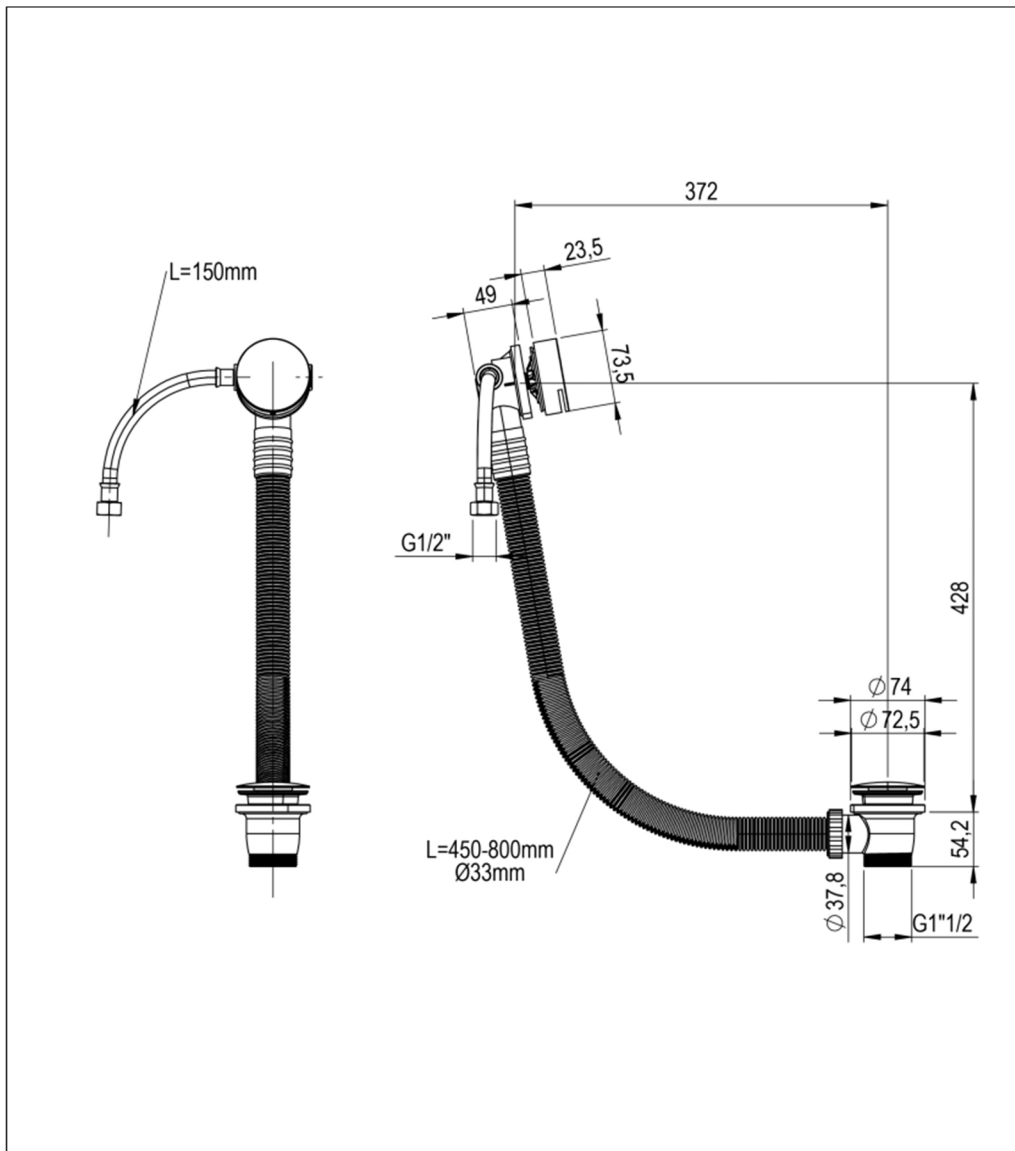


Technical Data Sheet

Product range: INOX

Product code: IX809HACC

Finishes Available: Stainless Steel



Min Pressure:

N/A

Approvals:

N/A

Connections:

G 1/2"

Warranty:

2 Years